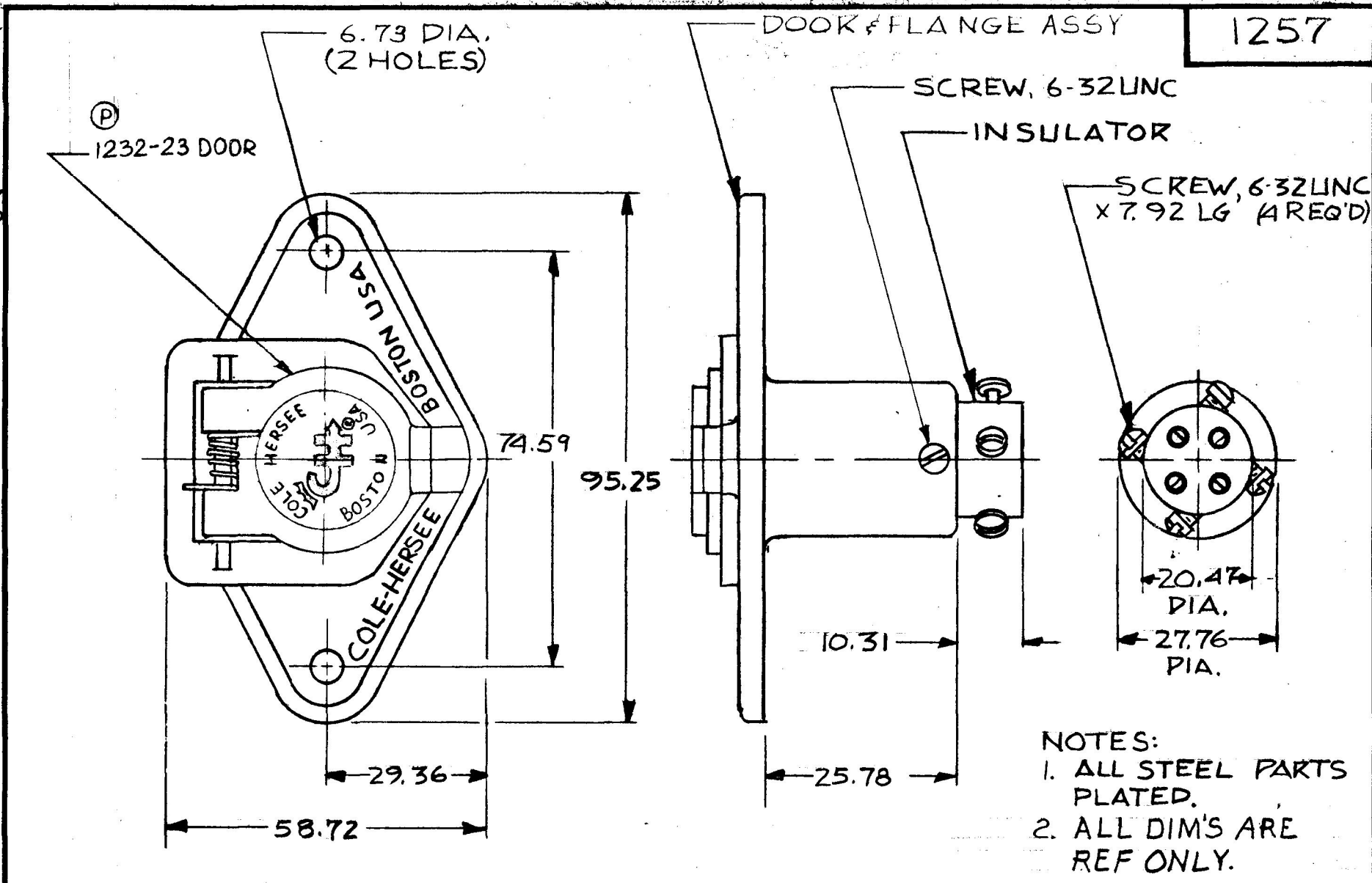



MM	IN
6.73	.265
10.31	.406
14.27	.562
20.47	.806
25.78	1.015
27.76	1.093
29.36	1.156
58.72	2.312
74.59	2.937
92.25	3.750
7.92	.312



- NOTES:
1. ALL STEEL PARTS PLATED.
 2. ALL DIM'S ARE REF ONLY.

METRIC

DO NOT SCALE

LET.	WAS	DATE	BY	LET	WAS	DATE	BY	MATERIAL	DRAWN	CHECKED	APPR'D	SCALE	DATE DRAWN
								#	LMC			1:1	10-8-54
								FINISH					DATE BLUEPRINT
								#					
				P	NEW DOOR / 23125	8-29-86	ZU	TOLERANCES	 20 OLD COLONY AVENUE, SOUTH BOSTON, MA, U.S.A. 02127				
				N	REVISED & REDRAWN	2-8-82	PB	DECIMAL ±.010 METRIC ±.25					AWAY MALE TRAILER CONNECTOR ASS'Y

CH-188(4-78)