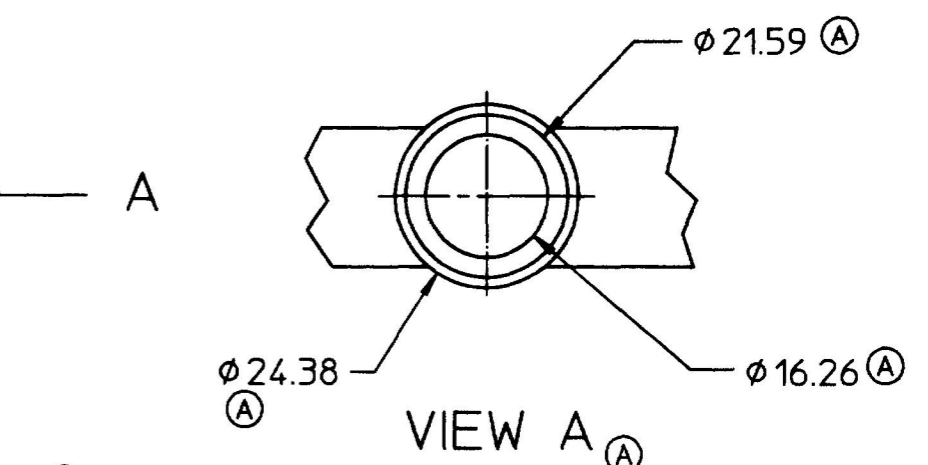
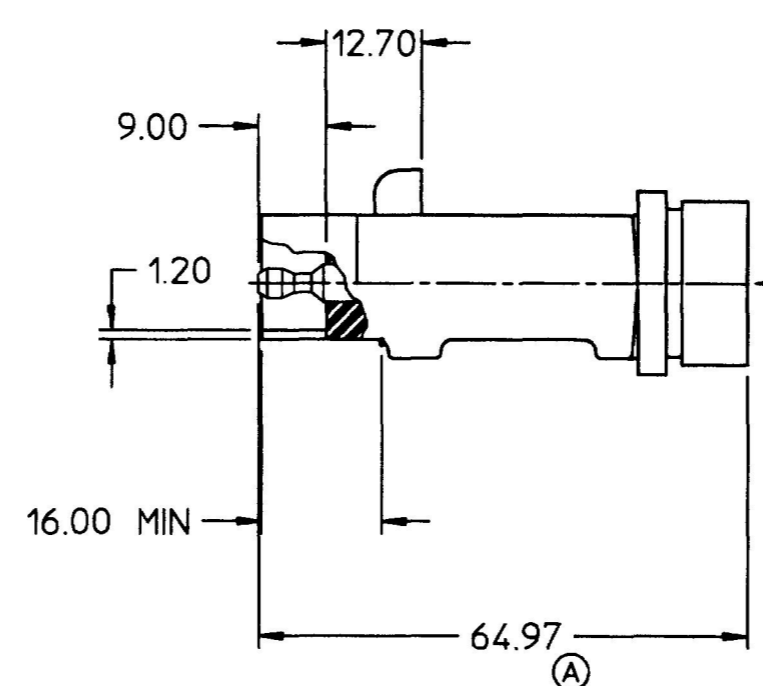
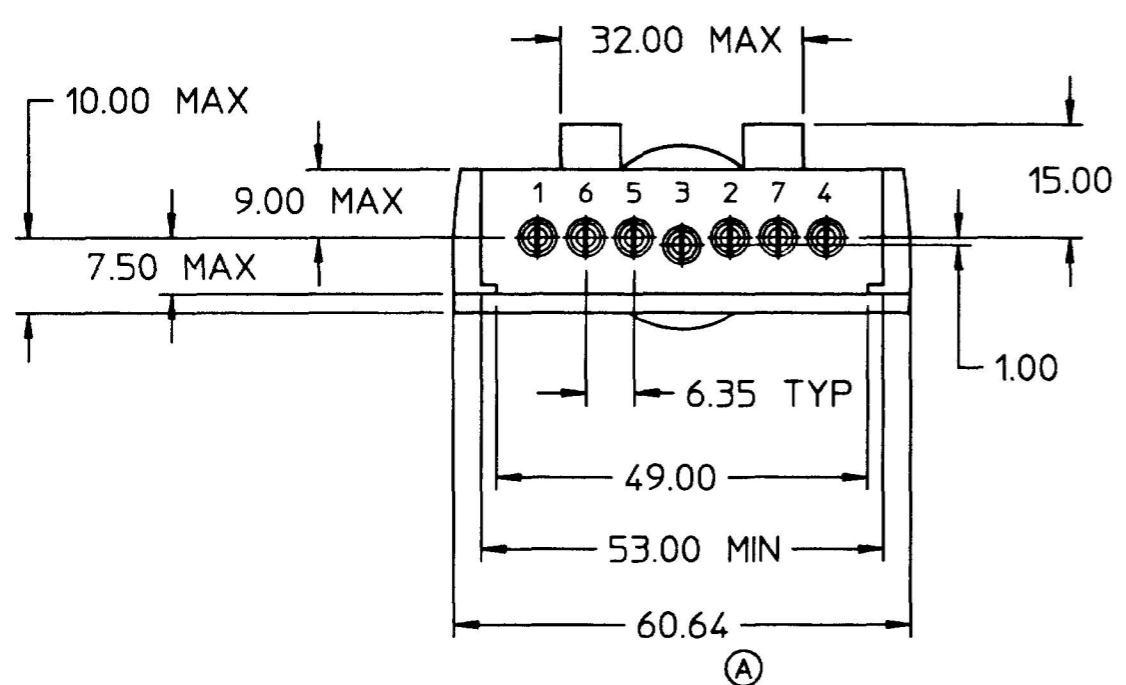
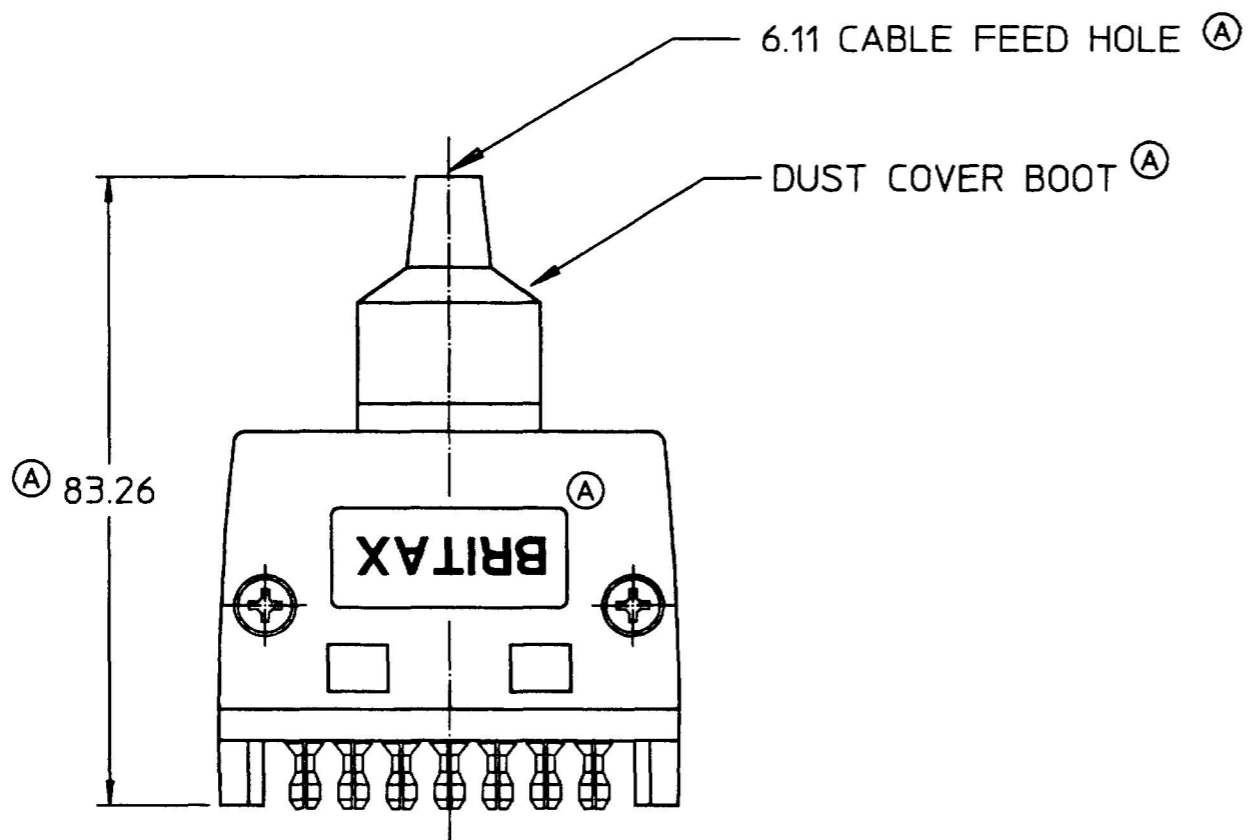


MM	IN
1.00	0.039
1.20	0.047
6.11	0.240
6.35	0.250
7.50	0.295
9.00	0.354
10.00	0.394
12.70	0.500
15.00	0.590
16.00	0.629
16.26	0.640
21.59	0.850
24.38	0.993
32.00	1.259
49.00	1.929
53.00	2.086
60.64	2.387
64.97	2.556
83.26	3.278
2.0mm <sup>2</sup>	14 GA



- (A) NOTES:
1. PINS ACCEPT UP TO 2.0 mm<sup>2</sup> WIRE
  2. ALL DIMENSIONS ARE REFERENCE ONLY
  3. HARDWARE SHIPPED LOOSE IN POLYBAG. PLACED INSIDE CONNECTOR

DO NOT SCALE

METRIC

LET.	WAS	DATE	BY	LET.	WAS	DATE	BY	MATERIAL	DRAWN	CHK	APVD	SCALE	DATE DRAWN
									BL	GA		1:1	5/17/93
								FINISH	<b>Cole Hersee Co.</b> 20 OLD COLONY AVENUE, BOSTON, MA., U.S.A. 02127				DATE BLUEPRINTED
				A	ECN 99148	04/20/99	JRF	TOLERANCES	7P TRLR CONN (FLAT PLUG)				12401
					ISSUED	05/27/93	AF	DECIMAL ±					
								ANGLE ±					