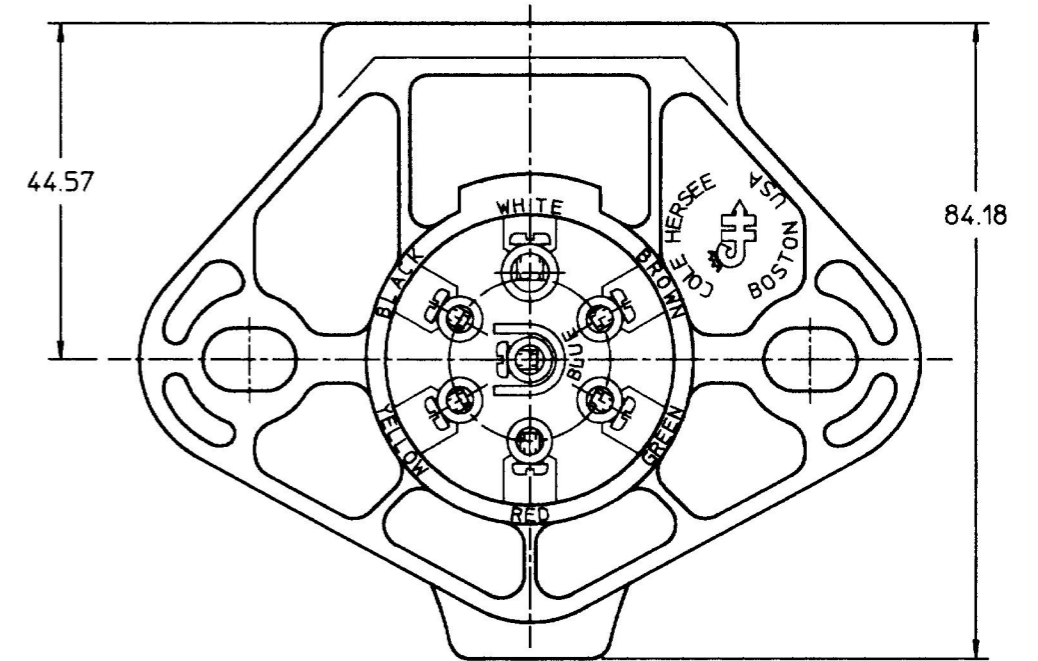
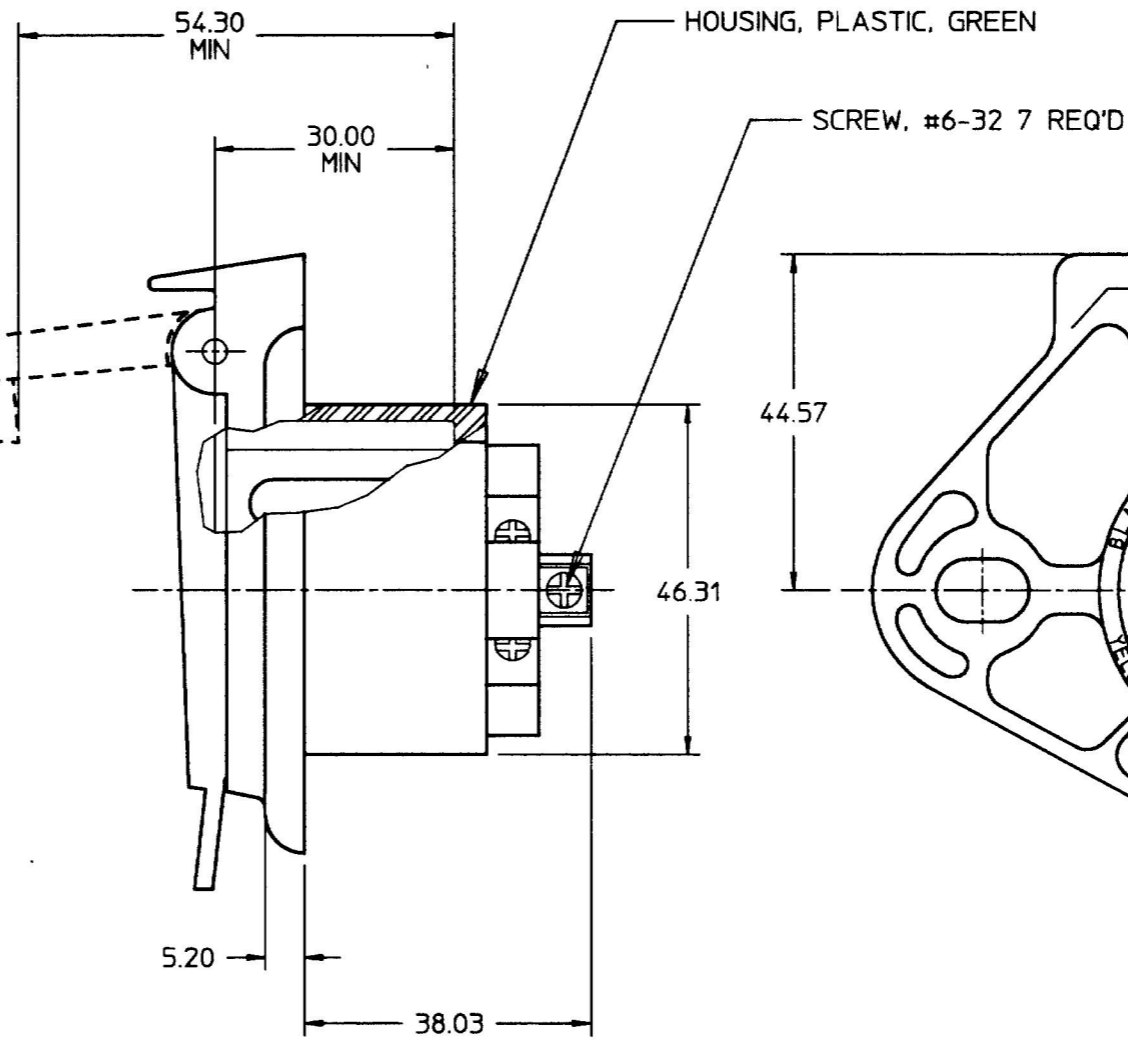
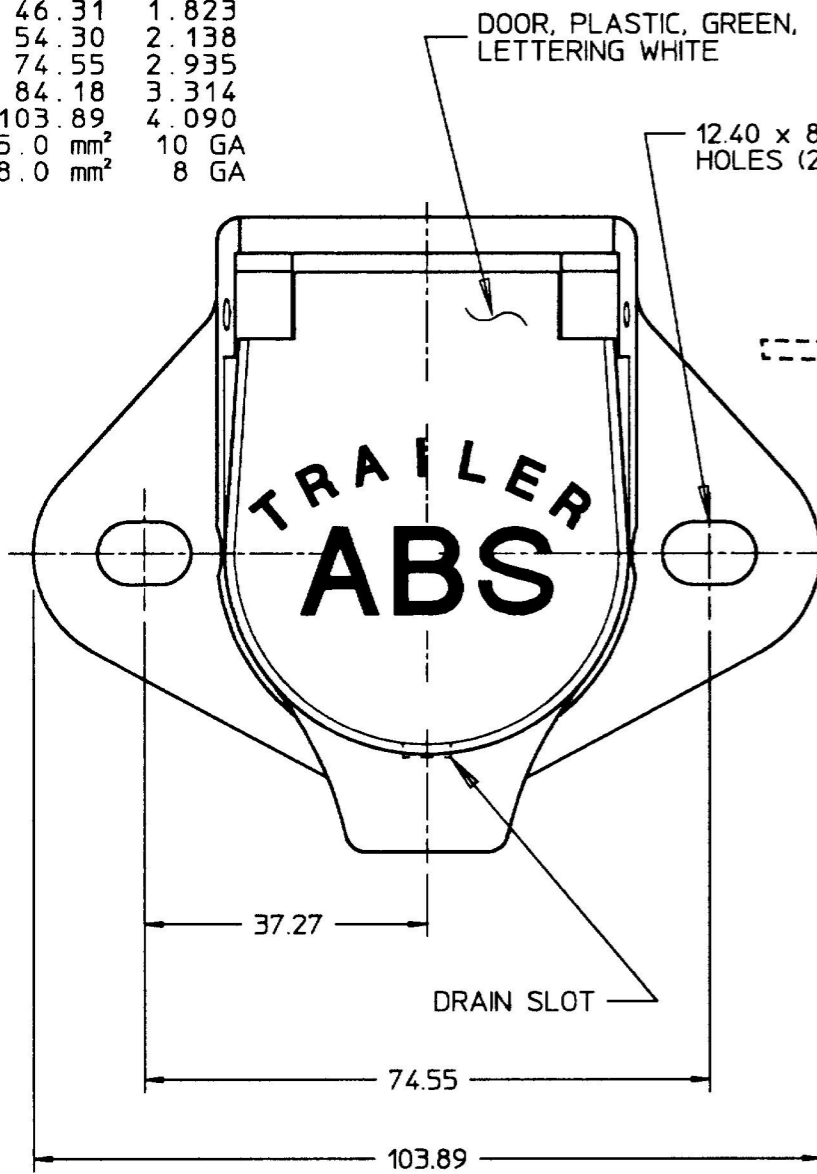


MM	IN
5.20	0.205
8.33	0.328
12.40	0.488
30.00	1.181
37.27	1.467
38.03	1.497
44.57	1.754
46.31	1.823
54.30	2.138
74.55	2.935
84.18	3.314
103.89	4.090
5.0 mm ²	10 GA
8.0 mm ²	8 GA



COND. NO.	WIRE COLOR	LAMPS, SIGNAL CIRCUITS
7	BLUE	AUXILIARY
6	BROWN	TAIL CLEARANCE, SIDE MARKER LAMPS & LICENSE PLATE LAMPS
5	GREEN	RING HAND TURN SIGNAL & HAZARD SIGNAL
4	RED	STOP LAMP AND ANTI-LOCK DEVICES
3	YELLOW	LEFT HAND TURN SIGNAL & HAZARD SIGNAL
2	BLACK	CLEARANCE, SIDE MARKER & IDENT. LAMP
1	WHITE	GROUND, RETURN TO TOWING VEHICLE

- NOTES:
1. ALL DIMENSIONS WITHOUT TOLERANCE ARE REFERENCE
 2. ALL STEEL PARTS PLATED
 3. TERMINAL WILL ACCEPT UP TO 8.0 mm² WIRE LEAD AT GROUND TERMINAL & 5.0 mm² WIRE LEADS AT ALL OTHER TERMINALS
 4. SOLID PIN TYPE-PLAIN BRASS
 5. SCREWS TO WITHSTAND 0.9Nm (8 IN-LBS)

METRIC

LET.	WAS	DATE	BY	LET.	WAS	DATE	BY	MATERIAL	DRAWN	CHK	APVD	SCALE	DATE DRAWN
									CHW	PS		1:1	5/16/97
								FINISH	Cole Hersee Co. 20 OLD COLONY AVENUE, BOSTON, MA., U.S.A., 02127				DATE BLUEPRINTED
				A	ECN #26999	9/5/97	AJS	TOLERANCES	7 POLE CONN SKT				12080-11
					ISSUED	6/11/97	AF	DECIMAL ±					
								ANGLE ±					

DO NOT SCALE