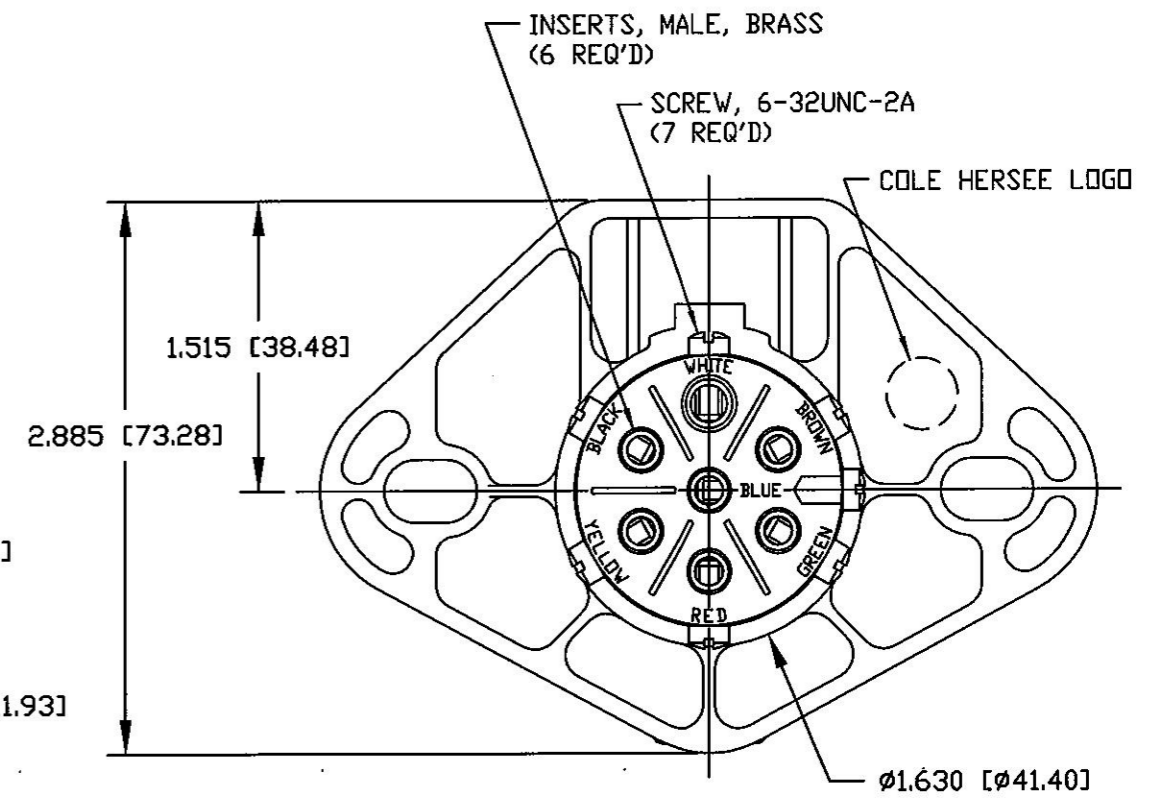
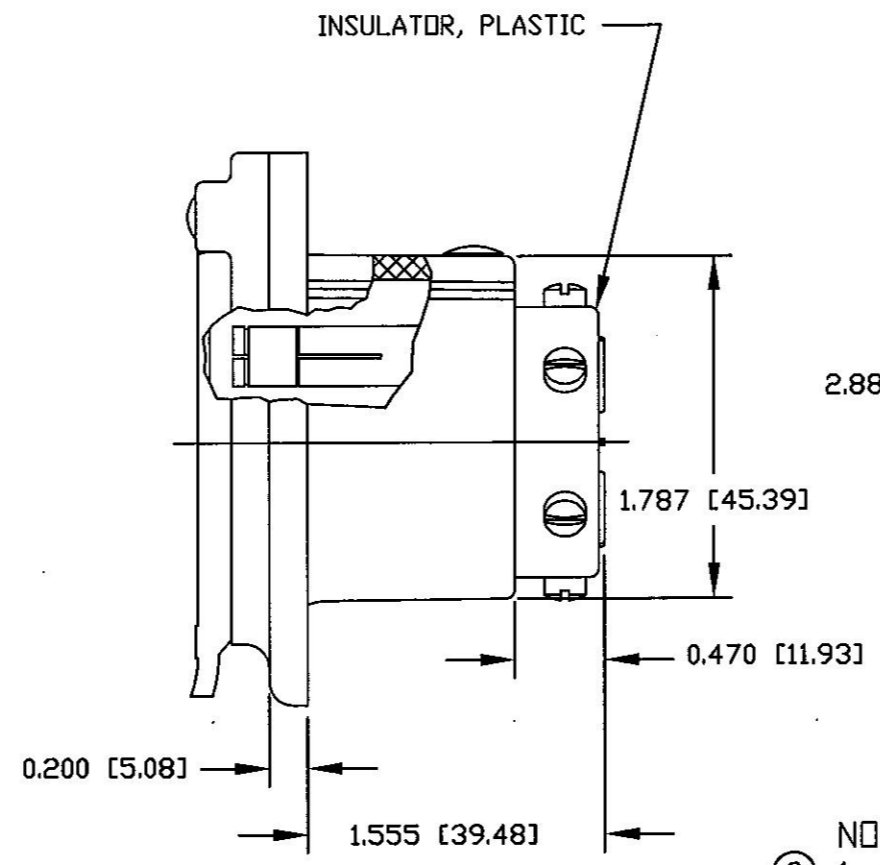
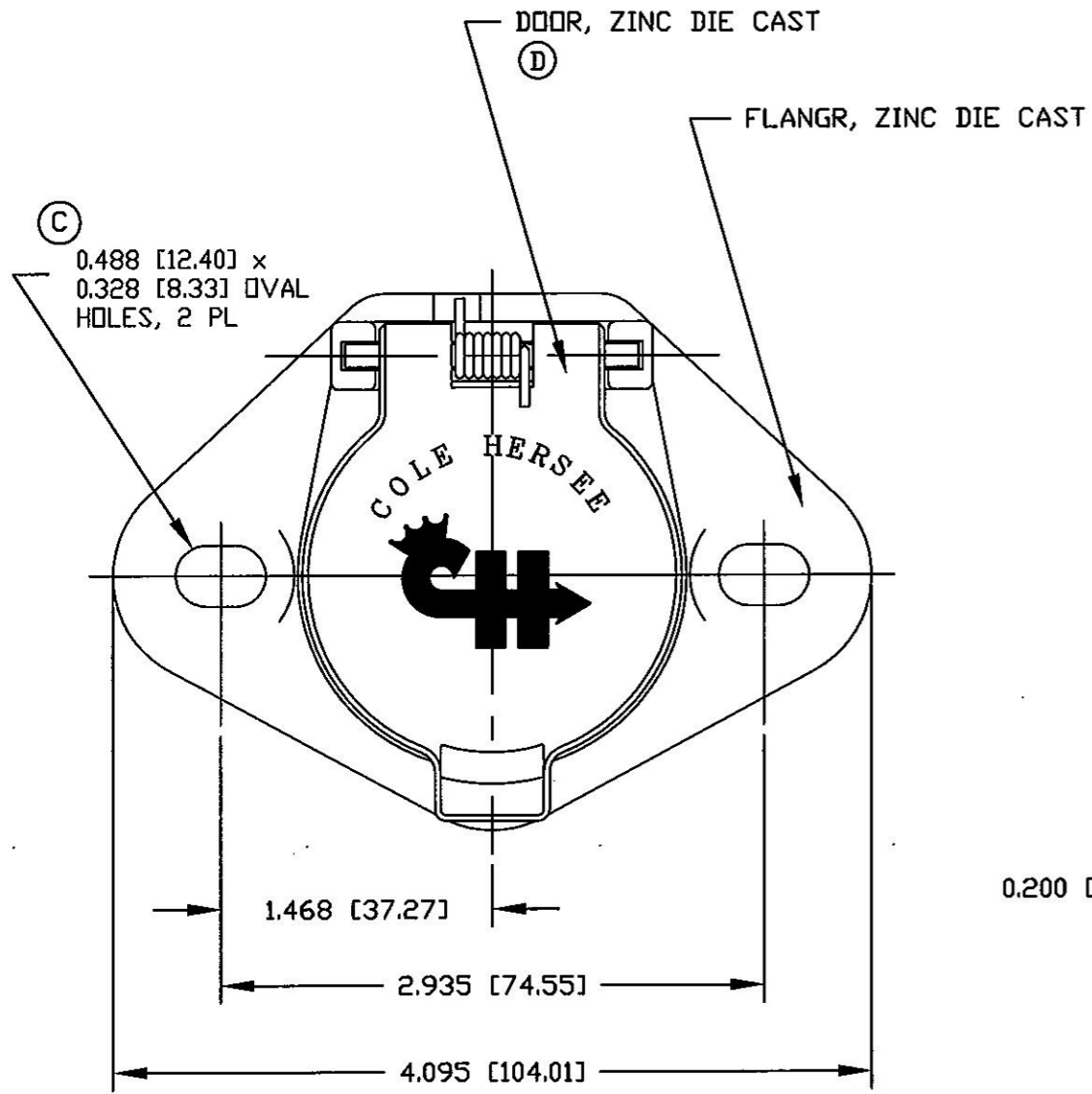


Revision Control Record

Rev.	Description of Change	ECN No.	Date
C	CHANGED SHAPE OF HOLES	02373	2/04/03
D	REVISED DOOR	09538	11/12/09



- NOTES:
 (C) 1. ALL DIMENSIONS ARE REFERENCE
 2. INSERTS WILL ACCEPT UP TO #8 GA [8.0mm²] WIRE LEAD AT GROUND TERMINAL AND #10 GA [5.0mm²] WIRE LEADS AT OTHER TERMINALS
 3. INSULATED
 4. SOLID PIN TYPE
 5. REF. I.S.D. STD. 3731-1976 (E)
 TYPE 24S (SUPPLEMENTARY) 24V

7	BLUE	AUXILIARY
6	BROWN	TAIL CLEARANCE, SIDE MARKER LAMPS AND LICENSE PLATE LAMPS
5	GREEN	RIGHT - HAND TURN SIGNAL AND HAZARD SIGNAL
4	RED	STOP LAMPS AND ANTILOCK DEVICES
3	YELLOW	LEFT - HAND TURN SIGNAL AND HAZARD SIGNAL
2	BLACK	CLEARANCE, SIDE MARKER, AND IDENTIFICATION LAMPS
1	WHITE	GROUND RETURN TO TOWING VEHICLE (C)
COND NO	WIRE COLOR	LAMPS, SIGNAL CIRCUITS

Tolerances Unless otherwise specifically noted, the following are default tolerances:
 * 2-place Decimal Dimensions +/- .02"
 * 3-place Decimal Dimensions +/- .005"
 * Angular Dimensions +/- 1.0 Deg.
 * Metric: Refer to equivalent English Dimension Tolerance
 >>> NOTE: All tolerances are Non-Cumulative. <<<
Dimensional Units All dimensions are expressed in inches except those shown in brackets (xxx) are expressed in millimeters
"REF." or an Asterisk (*) = Non-Toleranced Reference Dimension, shown for clarification purposes only.
 Used On: 12077 W/CH FLANGE & DOOR
 Scale: 1:1

PROPRIETARY INFORMATION This Engineering Drawing, and the information contained herein, is proprietary to Cole Hersee Company and may not be disclosed, re-produced, or in any other way transferred or communicated to any other party without the express written consent of an authorized representative of Cole Hersee Company.
DESIGN CONTROL It is the responsibility of the individual using/ referencing this drawing to assure that the noted design revision level agrees with the revision level of the Controlled Document (Master Drawing). This is a NON-CONTROLLED DOCUMENT unless otherwise specifically noted.
 DO NOT SCALE - Dimensional variation may occur during printing/ reproduction.
 Drawn By: RMT
 Date Drawn: 7/28/80

Special Characteristics:
 (CC) Critical Characteristic, relating to Safety and/or Regulatory Compliance
 (X) Significant Characteristic relating to Process Control (SPC)
 (KC) Control Dimension relating to Form - Fit - Function as defined by Cole Hersee Company and/or the Customer
 (Note that the identification of any Characteristics as being "Special" does not alter the requirement that ALL specified dimensions & tolerances must be met.)
 Responsible Engineer: SAM
 Pg. 1 of 1

Cole Hersee Co.
 20 Old Colony Ave., South Boston, MA, 02127
 Phn: 617-268-2100 Web: www.colehersee.com
Description: 7 WAY FLANGE CONN
 Drawing/ Part No.: 12077-01
 Current Rev.: D