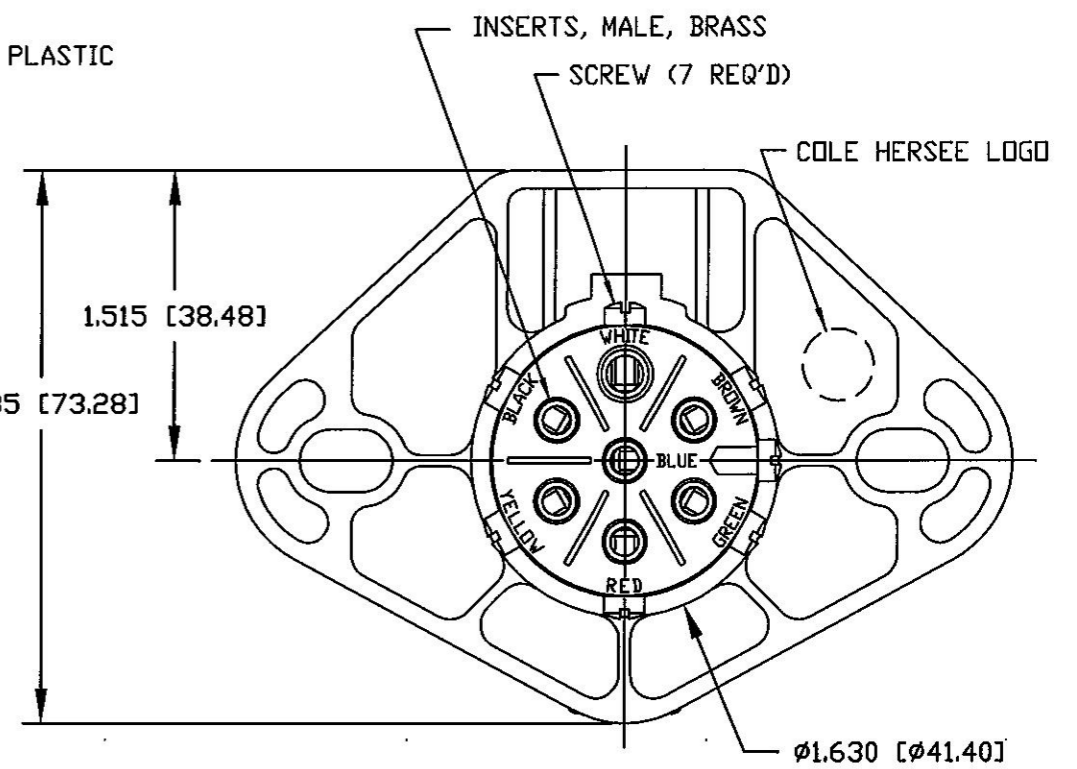
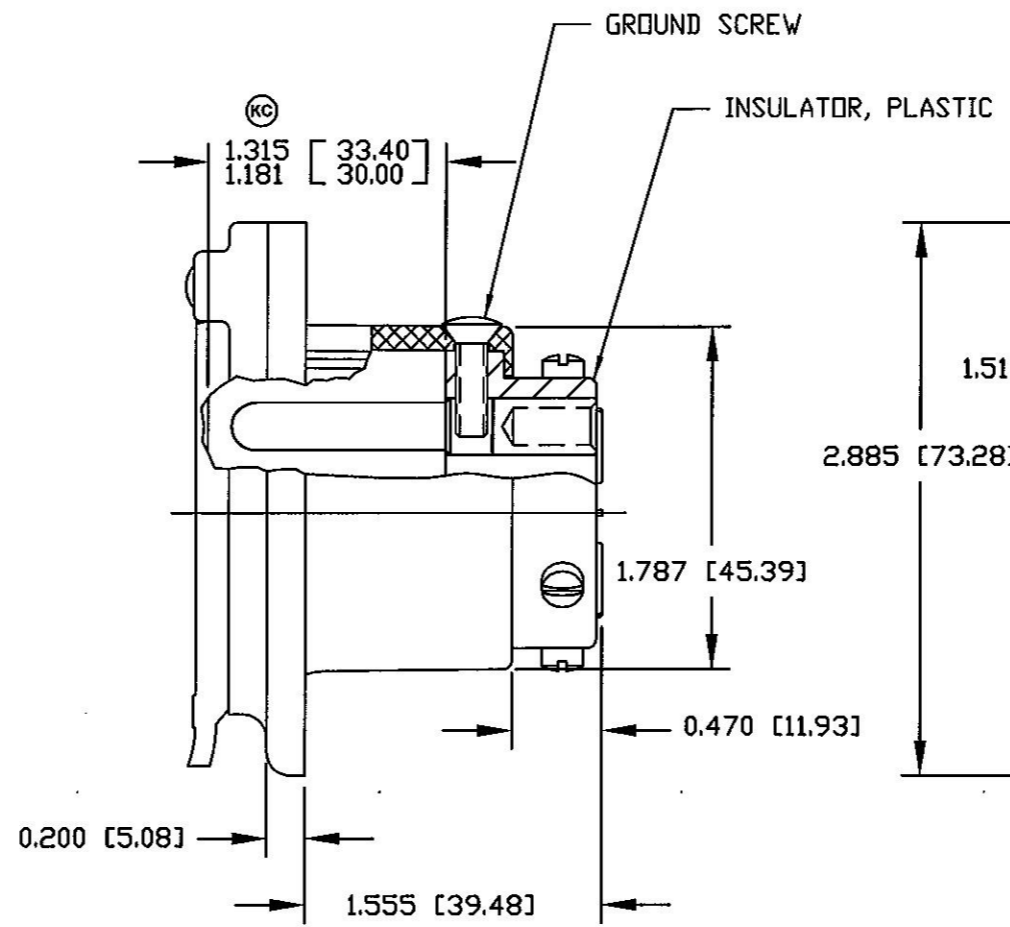
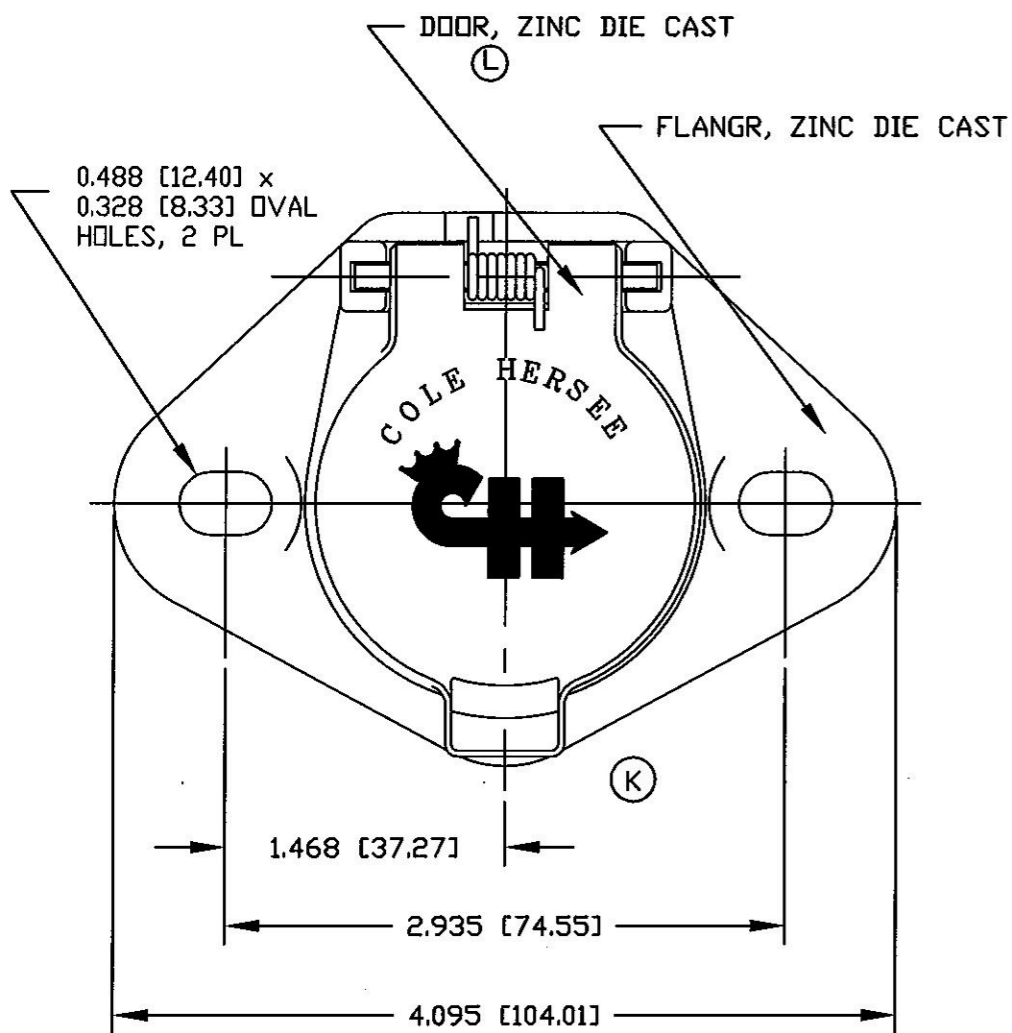


**Revision Control Record**

Rev.	Description of Change	ECN No.	Date
K	ADDED P/N TO THE PART	03029	1/21/03
L	REVISED DOOR	09538	11/12/09



- NOTES:
1. ALL DIMENSIONS ARE REFERENCE
  2. INSERTS WILL ACCEPT UP TO #8 GA [8.0mm<sup>2</sup>] WIRE LEAD AT GROUND TERMINAL AND #10 GA [5.0mm<sup>2</sup>] WIRE LEADS AT OTHER TERMINALS
  3. SELF GROUNDED
  4. SOLID PIN TYPE

COND NO	WIRE COLOR	LAMPS, SIGNAL CIRCUITS
7	BLUE	AUXILIARY
6	BROWN	TAIL CLEARANCE, SIDE MARKER LAMPS AND LICENSE PLATE LAMPS
5	GREEN	RIGHT - HAND TURN SIGNAL AND HAZARD SIGNAL
4	RED	STOP LAMPS AND ANTILOCK DEVICES
3	YELLOW	LEFT - HAND TURN SIGNAL AND HAZARD SIGNAL
2	BLACK	CLEARANCE, SIDE MARKER, AND IDENTIFICATION LAMPS
1	WHITE	GROUND RETURN TO TOWING VEHICLE

**Tolerances** Unless otherwise specifically noted, the following are default tolerances:  
 • 2-place Decimal Dimensions +/- .02"  
 • 3-place Decimal Dimensions +/- .005"  
 • Angular Dimensions +/- 1.0 Deg.  
 • Metric: Refer to equivalent English Dimension Tolerance  
 >>> NOTE: All tolerances are Non-Cumulative. <<<

**Dimensional Units** All dimensions are expressed in inches except those shown in brackets (xxx) are expressed in millimeters

\*REF. or an Asterisk (\*) = Non-Toleranced Reference Dimension, shown for clarification purposes only.

Used On or Ref.: Scale: **1:1**

**PROPRIETARY INFORMATION** This Engineering Drawing, and the information contained herein, is proprietary to Cole Hersee Company and may not be disclosed, re-produced, or in any other way transferred or communicated to any other party without the express written consent of an authorized representative of Cole Hersee Company.

**DESIGN CONTROL** It is the responsibility of the individual using / referencing this drawing to assure that the noted design revision level agrees with the revision level of the Controlled Document (Master Drawing). This is a NON-CONTROLLED DOCUMENT unless otherwise specifically noted.

DO NOT SCALE - Dimensional variation may occur during printing / reproduction.

Drawn By: **BW** Date: **5/15/73**

**Special Characteristics:**

- ⬢ Critical Characteristic, relating to Safety and/or Regulatory Compliance
- X Significant Characteristic relating to Process Control (SPC)
- Ⓞ Control Dimension relating to Form - Fit - Function as defined by Cole Hersee Company and/or the Customer

(Note that the Identification of any Characteristics as being "Special" does not alter the requirement that ALL specified dimensions & tolerances must be met.)

Responsible Engineer: **SAM** Pg. 1 of 1

**Cole Hersee Co.**  
 20 Old Colony Ave., South Boston, MA, 02127  
 Phn: 617-268-2100 Web: www.colehersee.com

**Description:** **7 WAY FLANGE CONN**

Drawing / Part No.: **12063** Current Rev.: **L**