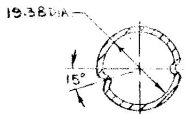
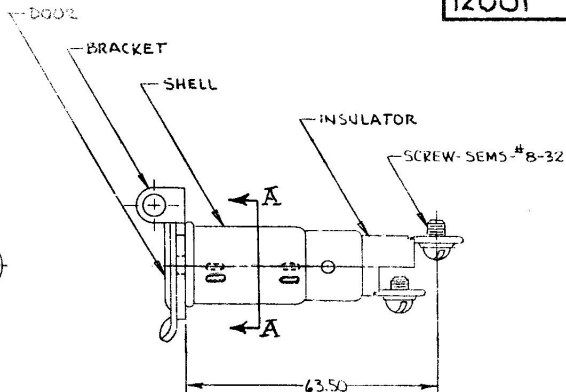
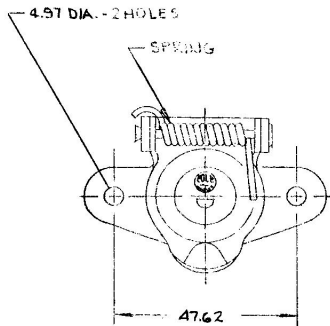


MM IN  
 4.97 .196  
 19.38 .763  
 47.62 1.875  
 63.50 2.500

12001



SECTION A-A

NOTES:  
 1. ALL STEEL PARTS PLATED  
 2. ALL DIMENSIONS REFERENCE

METRIC

Confidential Property of Cole Hersee

DO NOT SCALE

ET	WAS	DATE	BY	LET	WAS	DATE	BY	MATERIAL	DRAWN	CHECKED	APPROVD	SCALE	DATE DRAWN
								—	SB	RF		1:1	11-21-63
								FINISH	 Cole Hersee Co. <small>INCORPORATED IN THE STATE OF OHIO</small>				DATE BLUEPRINT
								TOLERANCES					SOCKET-FEI-2POLE
								DECIMAL ±					
								METRIC ±					

EX13590