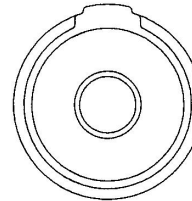
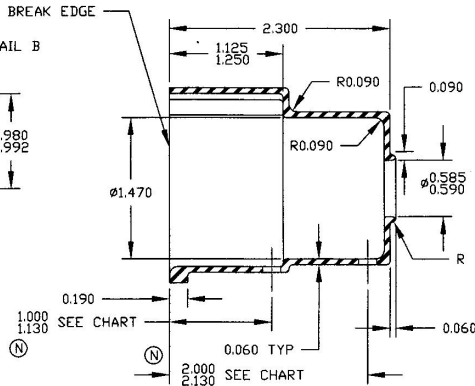
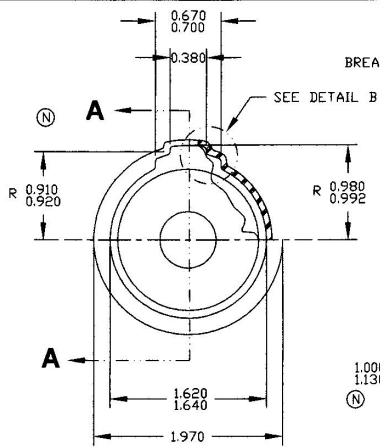
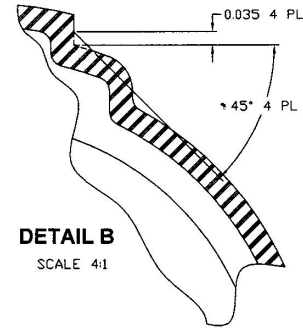
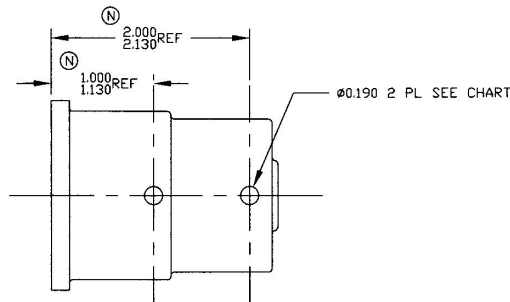


Revision Control Record

Rev.	Description of Change	ECN No.	Date
M	ADDED CHART AND VIEWS	01459	8/6/01
N	CORRECTED TOL & ADD REF	03634	11/13/03



SECTION A-A



DETAIL B
SCALE 4:1

NOTE:
1. ALL RADII 0.020/0.050 UNLESS OTHERWISE NOTED
2. MATERIAL: SBR WITH ANTI-OZONANT
60 DURAMETER, BLACK

PART NO.	HOLES
11178	NO
11178-1	YES

Tolerances: Unless otherwise specifically noted, the following are standard tolerances:

- **Splice Decimal Dimensions:** ± 0.02
- **Splice Decimal Dimensions:** ± 0.05
- **Angular Dimensions:** ± 1.0 Deg.
- **Note:** Refer to applicable English Dimension Tolerance for NOTE. All tolerances are Non-Cumulative, unless otherwise specified.

Dimensional Units: All dimensions are expressed in inches except those shown in brackets (mm) are expressed in millimeters.

REF: as an Attribute of Non-Toleranced Reference Dimension, shown for identification purposes only.

PROPRIETARY INFORMATION: This Engineering Drawing, and the dimensions, methods, materials, or proprietary to Cole Hersee Company and may not be disclosed, reproduced, or in any other way transmitted or communicated to any other party without the express written consent of an authorized representative of Cole Hersee Company.

DESIGN CONTROL: It is the responsibility of the individual using this drawing to ensure that the noted design revision is in agreement with the revision level of the Controlled Document (Master Drawing). This is a HIGH-CONTROLLED DOCUMENT unless otherwise specifically noted.

DO NOT SCALE: Dimensional relation may occur during printing/ reproduction.

Special Characteristics:

- ⊕ Critical Characteristics, relating to Safety and/or Regulatory Compliance
- ⊗ Significant Characteristics relating to Process Control (SPC)
- Ⓜ Key Characteristics relating to Form - Fit - Function as defined by Cole Hersee Company and/or the Customer.

Note that the identification of any Characteristics as being "Special" does not alter the requirement that all specified dimensions & tolerances must be met.

Used On or Ref: Scale: **1:1**

Drawn By: **JDH** Date: **8/6/01**

Responsible Engineer: **SM** Pg. 1 of 1

Cole Hersee Co.
20 Old Colony Ave., South Boston, MA, 02127
Phone 617-298-2100 Web: www.colehersee.com

Descriptions: **BOOT**

Drawing/Part No.: **11178-CHART** Current Rev.: **N**