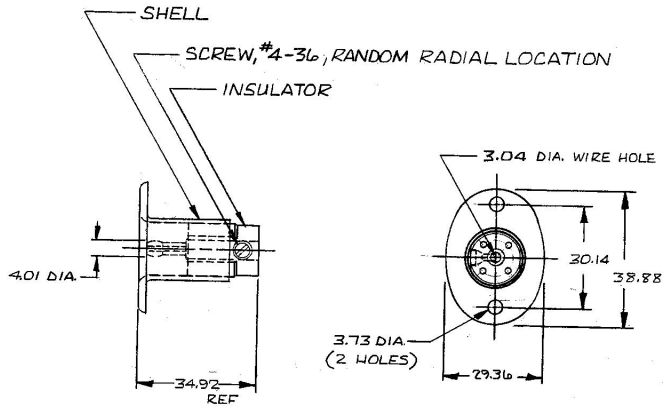


METRIC
 25
 3.04
 3.13
 3.01
 29.36
 30.14
 34.92
 38.88

11075



Confidential property of Cole Hersee

NOTE: ALL STEEL PARTS PLATED

METRIC

| | | | | | | | | | | DO NOT SCALE | | | |
|------|-----|------|----|-----|-----|------|----|---------------|--|--------------|----------|-------|--------------------|
| LET. | WAS | DATE | BY | LET | WAS | DATE | BY | MATERIAL | DRAWN | CHECKED | APPROV'D | SCALE | DATE DRAWN |
| | | | | | | | | // | GK | RJH | | 1:1 | 3-13-56 |
| | | | | | | | | FINISH | <small>WORLD COLONY FURNACE SOUTH BOSTON, MA, U.S.A. 02107</small> | | | | DATE BLUEPRINT |
| | | | | | | | | TOLERANCES | | | | | CONN SOCKET 1 POLE |
| | | | | | | | | DECIMAL ± .25 | | | | | |
| | | | | | | | | METRIC ± .25 | | | | | |

CH-188(4-78)