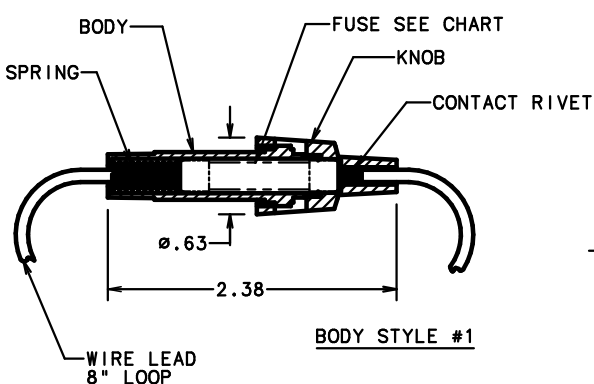
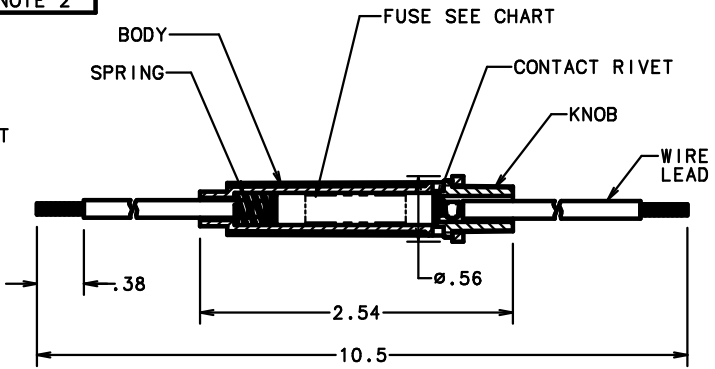


PART No.	BODY	BODY STYLE	FUSE PROVIDED	FUSE RATING	REMARKS
OFNY0001Z	OFNY0001Z	1	NONE	----	NOTE 1
OFNY0004Z	OFNY0001Z	1	0307004.Z	4 AMP	NOTE 1
OFNY0006Z	OFNY0001Z	1	0307006.Z	6 AMP	NOTE 1
OFNY00075Z	OFNY0001Z	1	0307007.5Z	7.5 AMP	NOTE 1
OFNY0009Z	OFNY0001Z	1	0307009.Z	9 AMP	NOTE 1
OFNY0014Z	OFNY0001Z	1	0307014.Z	14 AMP	NOTE 1
OFNY0020Z	OFNY0001Z	1	0307020.Z	20 AMP	NOTE 1
OFNY0030Z	OFNY0030Z	2	0307030.Z	30 AMP	NOTE 2



BODY STYLE #1



BODY STYLE #2

- NOTES:
- FOR OFNY0001:
    - MAX. RATING: 20 AMPS, 32 VOLTS AT A MAXIMUM OPERATING TEMPERATURE OF 180° F (82° C).
    - BODY MATERIAL: NYLON 6/6, BLACK  
KNOB MATERIAL: NYLON 6/6, BLACK  
SPRING MATERIAL: COATED STEEL  
CONTACT RIVET MATERIAL: BRASS  
WIRE LEAD MATERIAL: #14 GAUGE, STRANDED, BLACK  
FUSEHOLDER IS SHIPPED WITH KNOB AND BODY ASSEMBLED (FUSE INSTALLED, IF REQUIRED) FORMING A LOOP.
  - FOR OFNY0030:
    - MAX. RATING: 30 AMPS, 32 VOLTS AT A MAXIMUM OPERATING TEMPERATURE OF 180° F (82° C).
    - BODY MATERIAL: NYLON, WHITE TRANSLUCENT  
KNOB MATERIAL: NYLON 6/6, BLACK  
SPRING MATERIAL: COATED STEEL  
CONTACT RIVET MATERIAL: BRASS  
WIRE LEAD MATERIAL: #12 GAUGE, STRANDED, ORANGE PVC, G.P. SAE TYPE 1  
FUSEHOLDER IS SHIPPED WITH KNOB AND BODY ASSEMBLED (FUSE INSTALLED).

GENERAL NOTES:  
1. TOTAL WEIGHT OF SHIPPING CARTON SHALL BE LIMITED TO 50 LBS. MAX.

NO	COMPONENT NO	DESCRIPTION	QTY/M	U/M
<b>BILL OF MATERIAL</b>				
MATERIAL SPEC		FINISH		
COPIES TO	DRW	DATE	SCALE	1=1
1	9	18	JMB	
2	10	19	CHK	
3	12	20	DATE	SUPER DRW
4	13	21	APPD	RAW STK WT
5	14	23		LBS/M
6	15	33	TOLERANCE UNLESS OTHERWISE SPECIFIED	
7	16	43	TWO PLACE DEC ±.01	
8	17	53	THREE PLACE DEC ±.005	
<b>REVISION</b>				
LTR	NO	DESCRIPTION	CHK	APD
F		39728C- REVISE & REDRAWN ON NEW FORMAT 2/26/99 JMB		
G		82904C - OBS. OFNY0075Z, OFNY0009Z		
-		3/21/03 BJJ		

FUSEHOLDER, IN LINE (FUSE OPTIONAL)

DESIGN NO. SERIES OUTLINE  
OFNY0000Z

REVISION  
G

**LifeLine Fuse**  
DES PLAINES, ILLINOIS 60016

UNLESS OTHERWISE SPECIFIED, DIMENSIONS DO NOT INCLUDE PLATING.  
DENOTES CRITICAL CHARACTERISTICS.  
DENOTES CPK DIMENSIONS - MINIMUM CPK VALUE  
DENOTES A CHARACTERISTIC THAT PROVIDES AN INDICATION OF PROCESS PERFORMANCE. REFERENCE PROCEDURE FOR MEASUREMENT OF THIS CHARACTERISTIC IS LOCATED IN THE INSTRUCTIONS.  
DIMENSIONS OF DIMENSIONS - MINIMUM CP VALUE SHALL BE WITHIN THE DIMENSIONAL LIMITATIONS AND TOLERANCES SPECIFIED IN THE INSTRUCTIONS FOR MAXIMUM TOOL LIFE.

UNCONTROLLED DOCUMENT