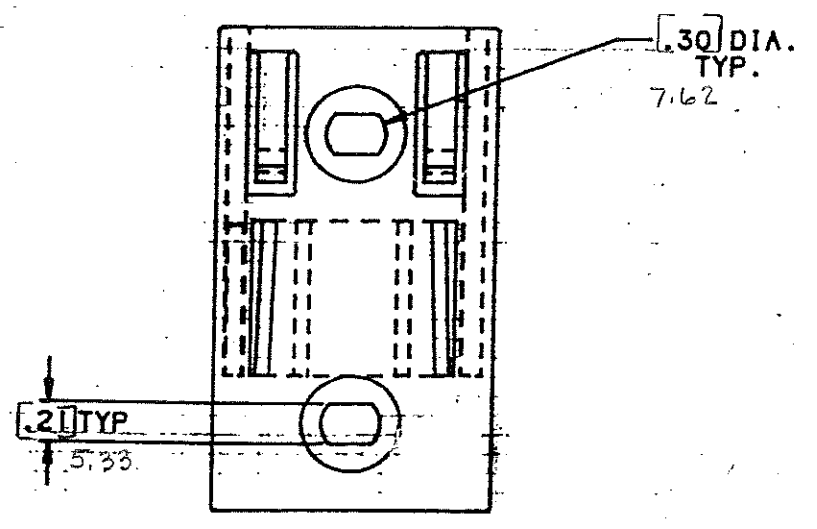
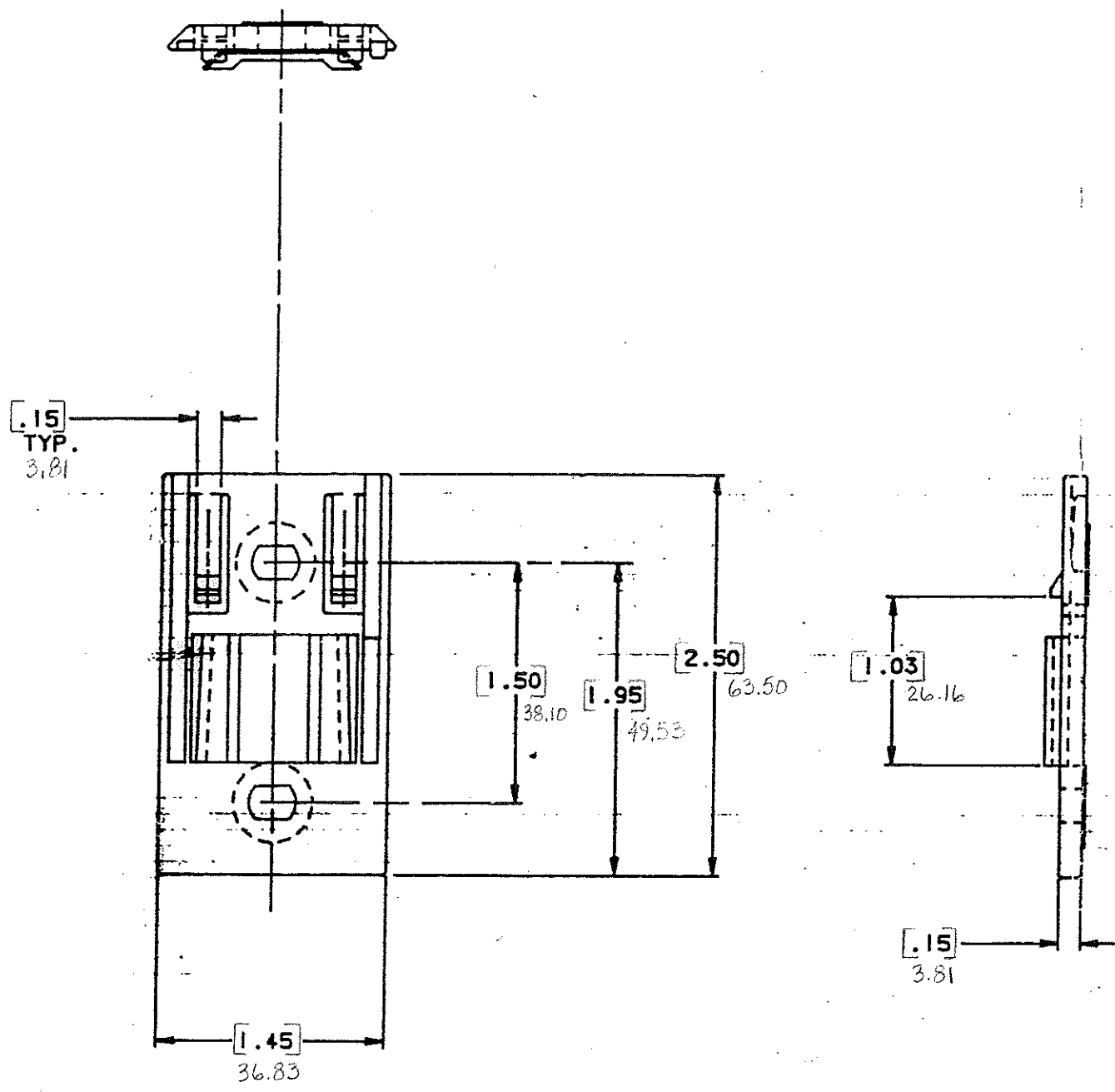


DRAWING NO.

Handwritten notes:
 1. ALL DIMENSIONS ARE IN MILLIMETERS.
 2. ENGLISH DIMENSIONS IN []



CERTIFICATION OF
 COUNTRY OF ORIGIN
 REQUIRED

COPIES TO	18	MAT'L SPEC.	Nylon Color: Black
	19	FINISH	SCALE
9	20	DR.	GES. - Nov. 28, 94
10	21	CHK.	
12	22	DATE	11-21-94
13	23	RAW STK. WT.	LBS./M
14	24	TOLERANCE UNLESS OTHERWISE SPECIFIED	
15	25	TWO PLACE DEC. ±.50mm [.020] FRACTION ±	
16	26	THREE PLACE DEC. ±.25mm [.010] ANGULAR ±	
17	27	TITLE	
18	28	Mounting Bracket	
19	29	Littelfuse	
20	30	800 E. NORTHWEST HIGHWAY	
21	31	DES PLAINES, ILLINOIS 60016	
22	32	DRWG. NO.	
23	33	D - 03540540Z	

LTR	REVISION	CHK.	APD.
A	06577-RELEASED Nov. 21, 94 GES.	GES	HA
B	36988C-ADD METRE DIM. 7-19-95 RFR	GES	CS
C	37055D-CHANGE TITLE 8-19-95 JCU	GES	CS
D	000807ER-RE-INSTATE 10/09/09 J.U.		

NOTE: ALL DIMENSIONS ARE IN MILLIMETERS.
 ALL DIMENSIONS ARE IN MILLIMETERS.
 ENGLISH DIMENSIONS IN []