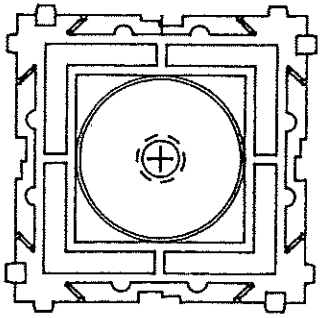
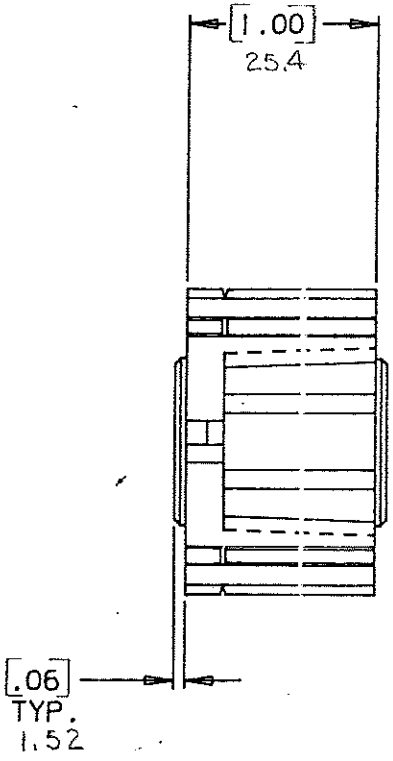
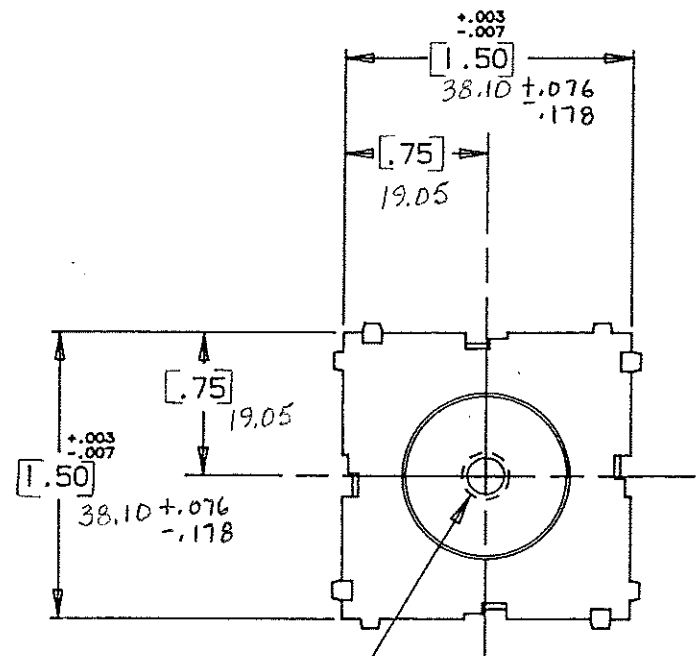


M8 X 1.25	354539	108 LB.-IN (12.0 N.m)
"A" TAP	LITTELFUSE N ^o	RECOMENDED TORQUE



"A" TAP THRU
(SEE CHART)

NOTE:
ALL DIMENSIONS ARE IN MILLIMETERS.
ENGLISH DIMENSIONS IN [].

CERTIFICATION OF
COUNTRY OF ORIGIN
REQUIRED

COPIES TO	18	MAT'L. SPEC.	Nylon Color: Black	
	19		FINISH	SCALE
	20			SUPER. DR.
	21			
22	DR. <i>GES.</i>	DATE		TOLERANCE UNLESS OTHERWISE SPECIFIED
23	APPD. <i>A. H. H. H.</i>	DATE	TWO PLACE DEC. ± .50mm [0.02] FRACTION ±	
24	10-26-94		THREE PLACE DEC. ± .25mm [0.01] ANGULAR ±	
25			LBS./M	
26				
27				
28				
29				
30				
31				
32				
33				
34				
35				
36				
37				
38				
39				
40				
41				
42				
43				
44				
45				
46				
47				
48				
49				
50				
51				
52				
53				
54				
55				
56				
57				
58				
59				
60				
61				
62				
63				
64				
65				
66				
67				
68				
69				
70				
71				
72				
73				
74				
75				
76				
77				
78				
79				
80				
81				
82				
83				
84				
85				
86				
87				
88				
89				
90				
91				
92				
93				
94				
95				
96				
97				
98				
99				
100				

LTR	REVISION	CHK.	APD.
A	06559 - RELEASED OCTOBER 25, 94 GES.	GES	AA
B	36988C - ADD METRIC DIM. 7-19-95 RFR	CS	CS
C	37055B - CHANGE TITLE 8-19-95 J.U.	TRR	CS
D	000807ER - RE-INSTATE 10/09/09 J.U.		

POWER TAP MODULE

Littelfuse
800 E. NORTHWEST HIGHWAY
DES PLAINES, ILLINOIS 60016

DRWG. NO. **D-03540539Z**

DRAWING NO.