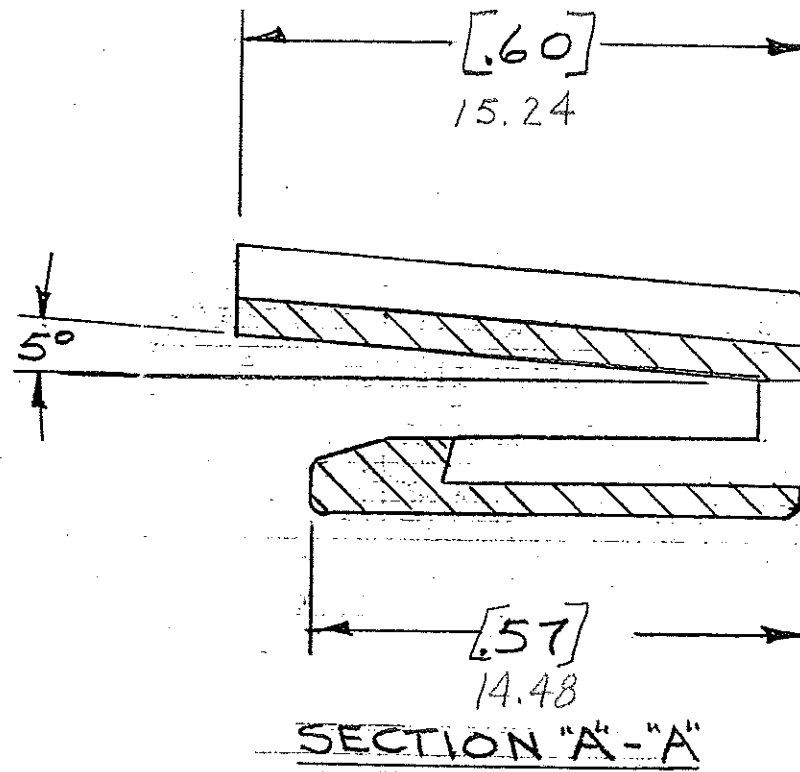
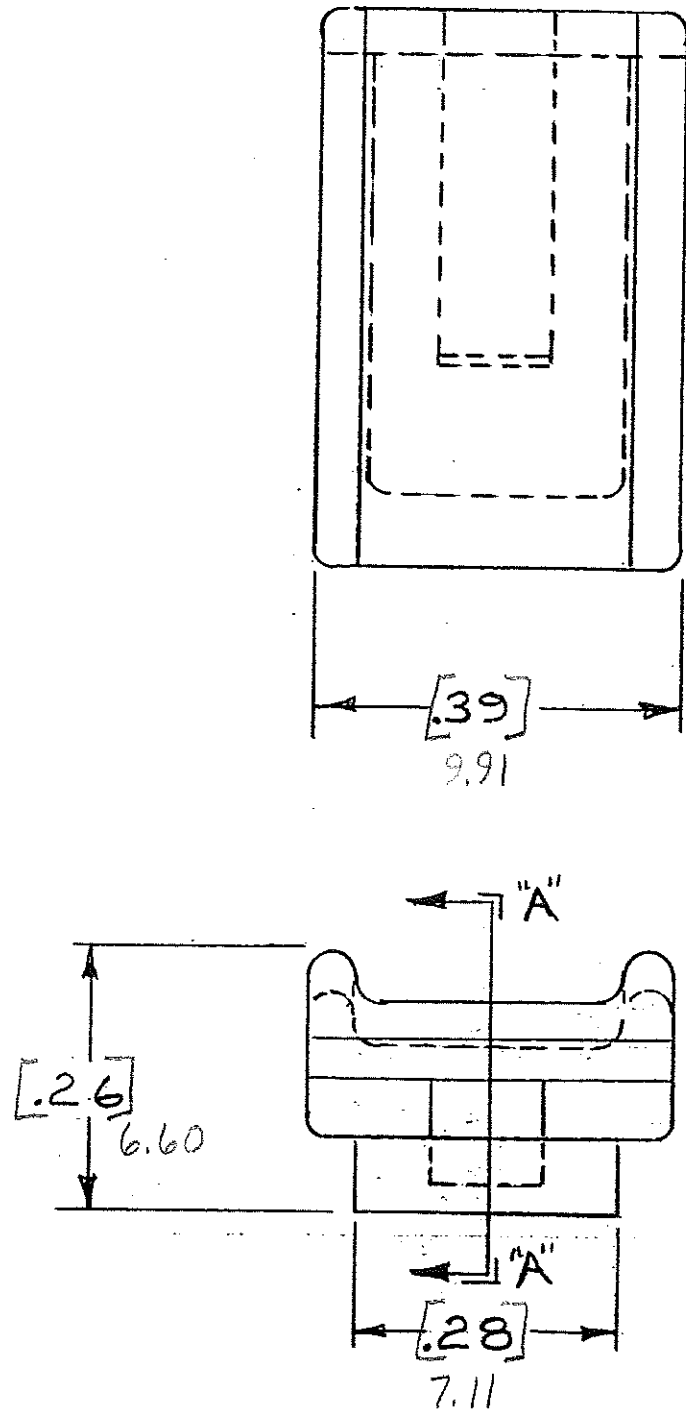


DRAWING NO.



CERTIFICATION OF
COUNTRY OF ORIGIN
REQUIRED

NOTE: ALL DIMENSIONS ARE IN MILLIMETERS.
ENGLISH DIMENSIONS IN [].

COPIES TO		MAT'L. SPEC.	FINISH	SCALE	DR.	CHK.	SUPER. DR.	DATE	RAW STK. WT.	LBS./M
1	2	Nylon		1	GES.	GES.		10-11-94		
3	4				APD.					
5	6									
7	8									
9	10									
11	12									
13	14									
15	16									
17	18									
19	20									
21	22									
23	24									
25	26									
27	28									
29	30									
31	32									
33	34									
35	36									
37	38									
39	40									
41	42									
43	44									
45	46									
47	48									
49	50									
51	52									
53	54									
55	56									
57	58									
59	60									
61	62									
63	64									
65	66									
67	68									
69	70									
71	72									
73	74									
75	76									
77	78									
79	80									
81	82									
83	84									
85	86									
87	88									
89	90									
91	92									
93	94									
95	96									
97	98									
99	100									
TITLE		TERMINAL LOKS								
LTR		REVISION			CHK.	APD.				
A		06534 - RELEASED OCTOBER 10, 94 GES.			GES.	APD.				
B		36988C - ADD METRIC DIM 8-19-95 RFR			GES.	APD.				
C		37055D - CHANGE TITLE 9-19-95 J.U.			GES.	APD.				
D		37150D - CHANGE FILE 11/31/95 GES.			GES.	APD.				
E		000807ER - RE-INSTATE 10/09/09 J.U.								
DRWG. NO.		E-03540531Z								
Littelfuse		800 E. NORTHWEST HIGHWAY DES PLAINES, ILLINOIS 60016								