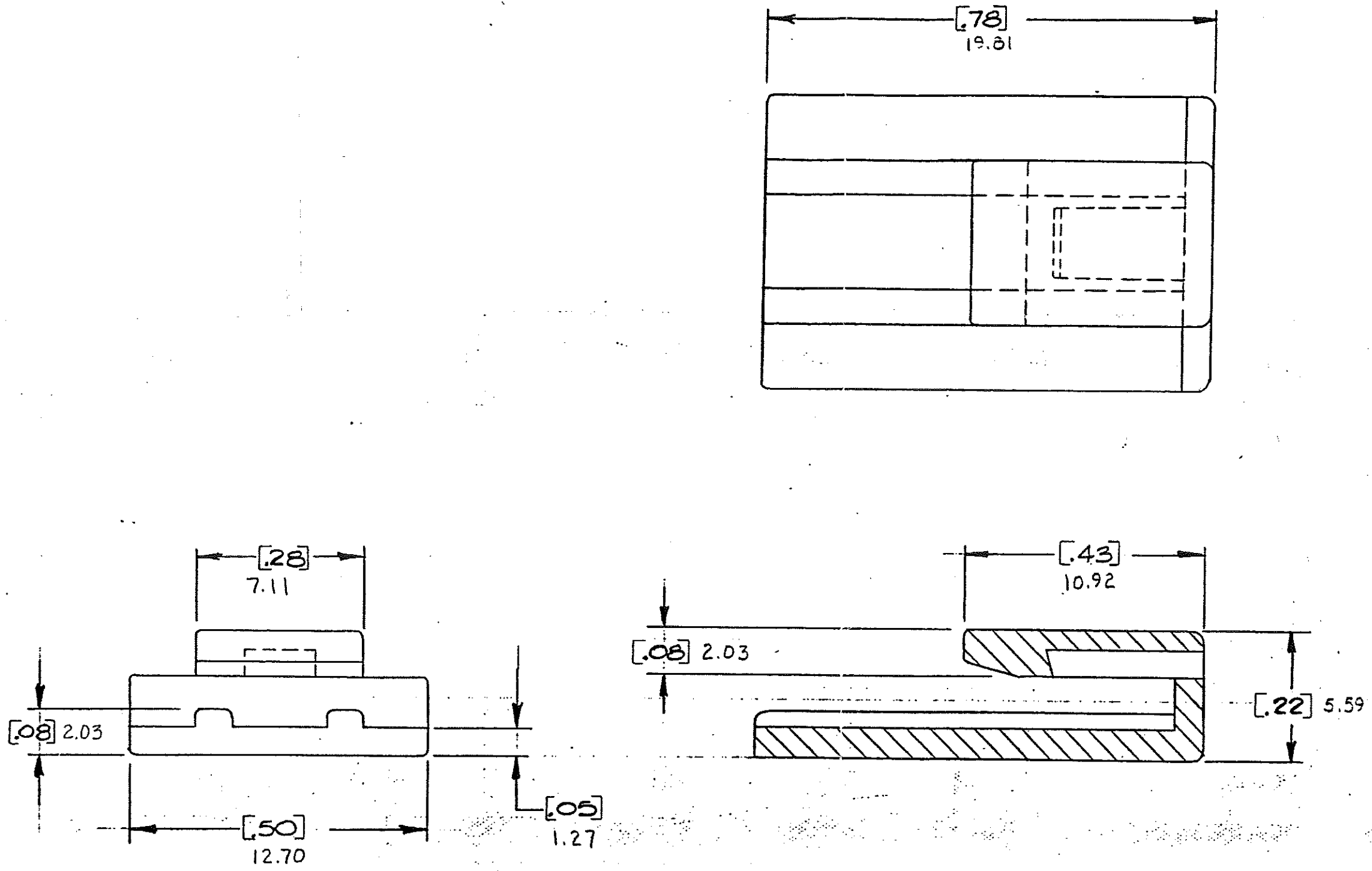


DRAWING NO.



CERTIFICATION OF
COUNTRY OF ORIGIN
REQUIRED

NOTE:
ALL DIMENSIONS ARE IN MILLIMETERS.
ENGLISH DIMENSIONS IN [].

COPIES TO		MAT'L. SPEC.	FINISH	SCALE	DR.	CHK'D	DATE	RAW STK. WT.	LBS./M
1	9	Nylon		~	GES. Dr. 7-94	LES	10-11-94		
2	10				APD.				
3	12								
4	13								
5	14								
6	15								
7	16								
8	17								
9	18								
10	19								
11	20								
12	21								
13	22								
14	23								
15	24								
16	25								
17	26								
18	27								
19	28								
20	29								
21	30								
22	31								
23	32								
24	33								
25	34								
26	35								
27	36								
28	37								
29	38								
30	39								
31	40								
32	41								
33	42								
34	43								
35	44								
36	45								
37	46								
38	47								
39	48								
40	49								
41	50								
42	51								
43	52								
44	53								
45	54								
46	55								
47	56								
48	57								
49	58								
50	59								
51	60								
52	61								
53	62								
54	63								
55	64								
56	65								
57	66								
58	67								
59	68								
60	69								
61	70								
62	71								
63	72								
64	73								
65	74								
66	75								
67	76								
68	77								
69	78								
70	79								
71	80								
72	81								
73	82								
74	83								
75	84								
76	85								
77	86								
78	87								
79	88								
80	89								
81	90								
82	91								
83	92								
84	93								
85	94								
86	95								
87	96								
88	97								
89	98								
90	99								
91	100								

TERMINAL LOCKS

Littlefuse
800 E. NORTHWEST HIGHWAY
DES PLAINES, ILLINOIS 60016

DRWG. NO.

F - 03540526Z