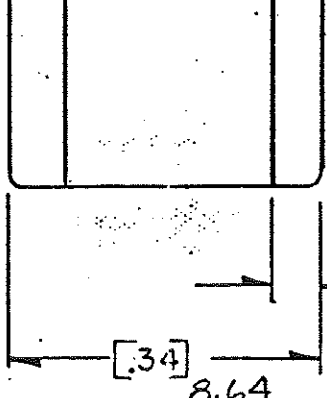
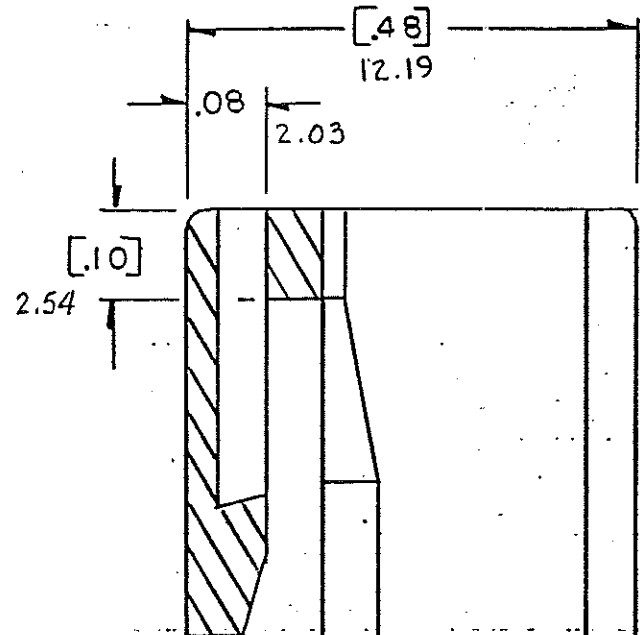
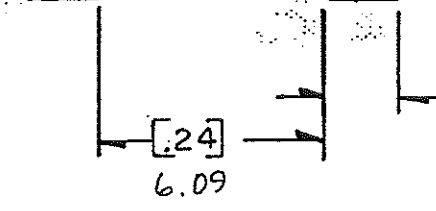
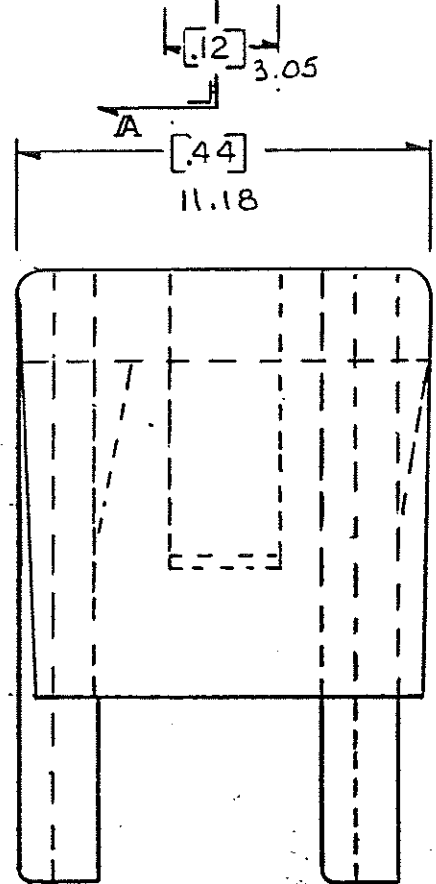
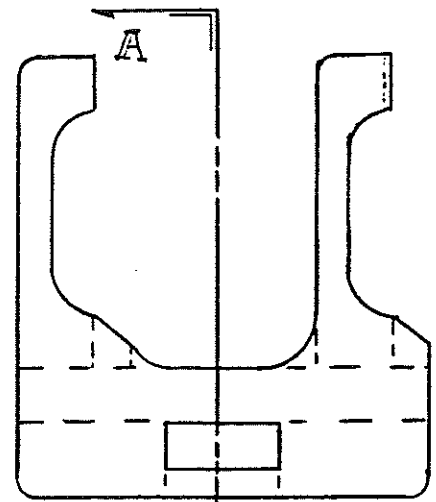
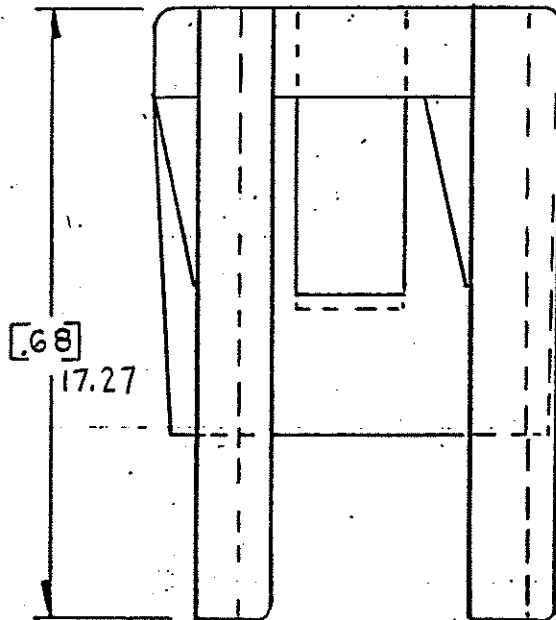


DRAWING NO.



SEC. A-A



NOTE:

ALL DIMENSIONS ARE IN MILLIMETERS.  
ENGLISH DIMENSIONS IN [ ].

CERTIFICATION OF  
COUNTRY OF ORIGIN  
REQUIRED

COPIES TO	MAT'L. SPEC.		FINISH		SCALE		
	18	19					
9	10	20	CHK	SUPER. DR.		LBS./M	
10	11	21	DR. <i>Ges.</i>	DATE			
11	12	22	APPD.	10-11-94			
12	13	23	TOLERANCE UNLESS OTHERWISE SPECIFIED				
13	14	24	TWO PLACE DEC. ±.50mm [0.20]				
14	15	25	THREE PLACE DEC. ±.25mm [0.10]				
15	16	26	TITLE				
16	17	27	TERMINAL LOCKS				
17	18	28	Litelfuse				DRWG. NO.
18	19	29	800 E. NORTHWEST HIGHWAY				E. 03540525Z
19	20	30	DES PLAINES, ILLINOIS 60016				

LTR	REVISION	CHK.	APD.
A	06534 - RELEASED October 10, 94 <i>Ges.</i>	<i>Ges.</i>	<i>AM</i>
B	36986C - ADV METRIC DIM'S 7-19-95 <i>RFR</i>	<i>Ges.</i>	<i>Ges.</i>
C	37055D - CHANGE TITLE 8-19-95 <i>JOU</i>	<i>TBB</i>	<i>Ges.</i>
D	37150D - CHANGE TITLE Revise Dictionary 11/17/95 <i>Ges.</i>	<i>Ges.</i>	<i>Ges.</i>
E	000807ER - RE-INSTATE 10/09/09 <i>J.U.</i>		