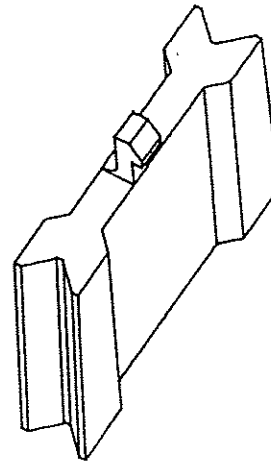
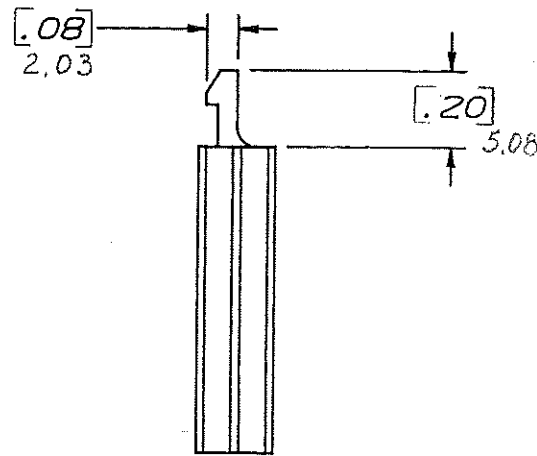
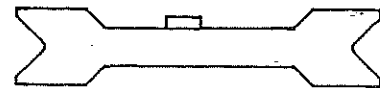
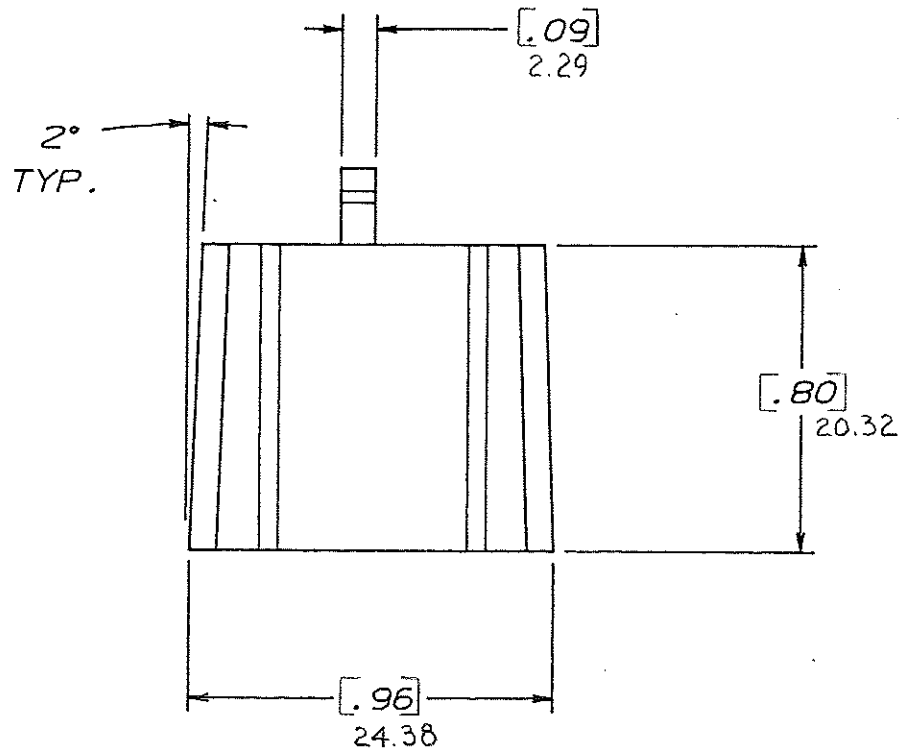
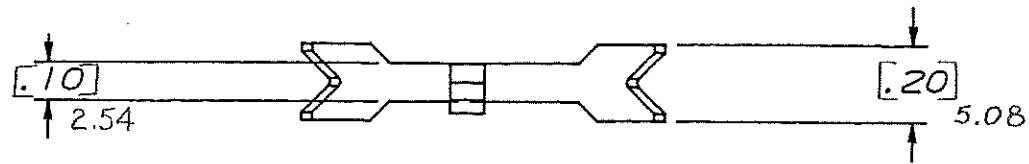


DRAWING NO.



NOTE:
ALL DIMENSIONS ARE IN MILLIMETERS.
ENGLISH DIMENSIONS IN [].

CERTIFICATION OF
COUNTRY OF ORIGIN
REQUIRED

| COPIES TO | | MAT'L SPEC. | FINISH | SCALE | DR. | CHK. | DATE | SUPER. DR. | RAW STK. WT. | LBS/M |
|---|----|-------------|--------|-------|------------------|------|----------|------------|--------------|-------|
| 1 | 9 | | | | GES. Dr. 7.94 | LES. | 10-11-94 | | | |
| 2 | 10 | | | | APPD. A. Hoesley | | | | | |
| 3 | 12 | | | | | | | | | |
| 4 | 13 | | | | | | | | | |
| 5 | 14 | | | | | | | | | |
| 6 | 15 | | | | | | | | | |
| 7 | 16 | | | | | | | | | |
| 8 | 17 | | | | | | | | | |
| | 18 | | | | | | | | | |
| | 19 | | | | | | | | | |
| | 20 | | | | | | | | | |
| | 21 | | | | | | | | | |
| | 22 | | | | | | | | | |
| | 23 | | | | | | | | | |
| | 33 | | | | | | | | | |
| | 43 | | | | | | | | | |
| | 53 | | | | | | | | | |
| TOLERANCE UNLESS OTHERWISE SPECIFIED | | | | | | | | | | |
| TWO PLACE DEC. ±.50mm [.020] | | | | | | | | | | |
| THREE PLACE DEC. ±.25mm [.010] | | | | | | | | | | |
| ANGULAR ± | | | | | | | | | | |
| TITLE Black Locks | | | | | | | | | | |
| LITTELFUSE 800 E. NORTHWEST HIGHWAY DES PLAINES, ILLINOIS 60016 | | | | | | | | | | |
| DRWG. NO E-03540523Z | | | | | | | | | | |

| LTR | REVISION | CHK. | APP. |
|-----|---|------|------|
| A | 06534 - Released October 10, 94 GES. | LES | AL |
| B | 36986C - ADD METRIC DIM'S 7-19-95 RFR | LES | LS |
| C | 37468D - CHANGE TITLE 8-19-95 JUN | T&L | LS |
| D | 37150D - CHANGE TITLE 11/15/95 GES | LES | LS |
| E | 000807ER - RE-INSTATE 10/09/09 J.U. | | |