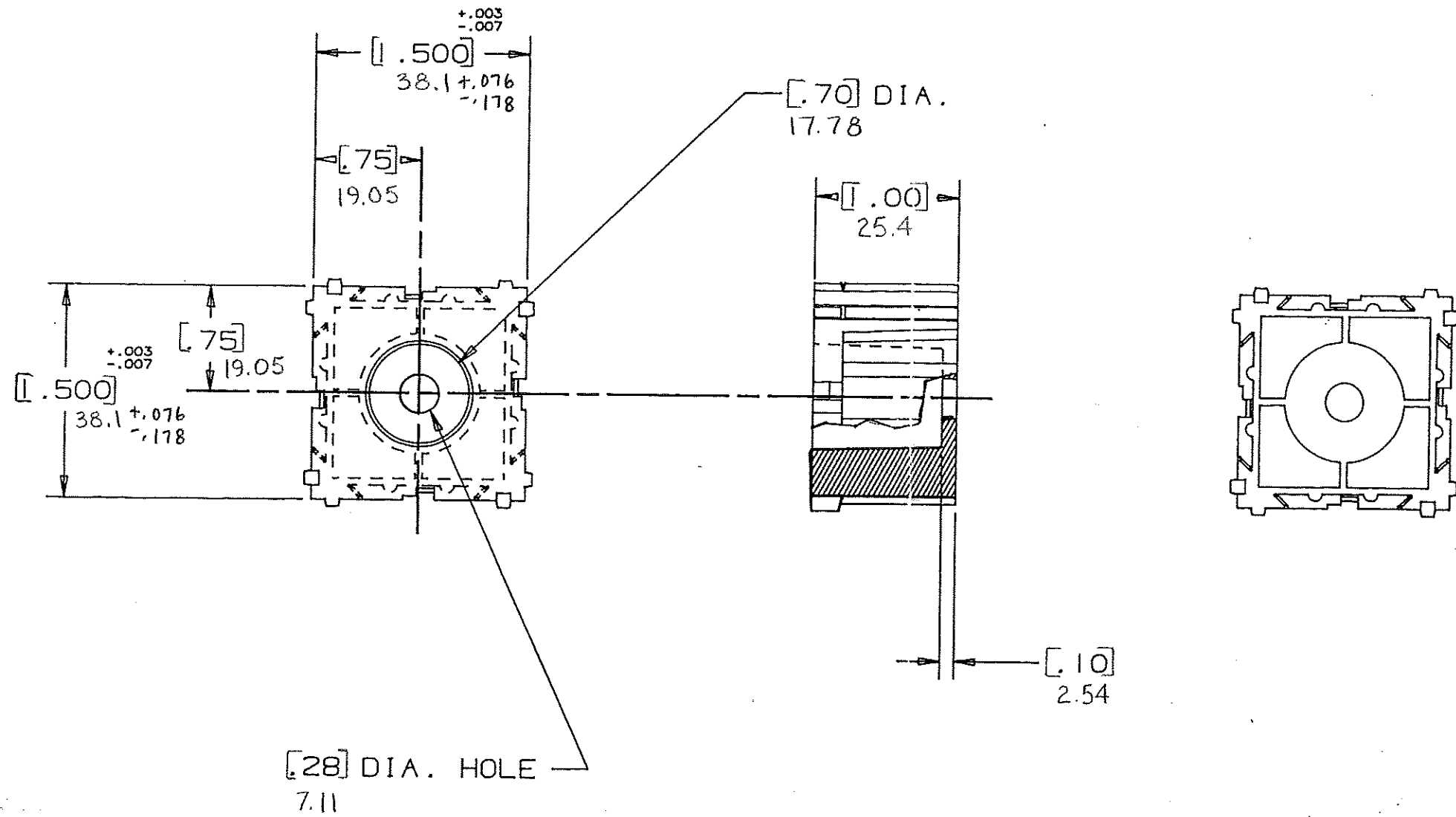


DRAWING NO.



CERTIFICATION OF
COUNTRY OF ORIGIN
REQUIRED

| | | | | | |
|-----------|----|---------------------------------------|---|------------------|------------|
| COPIES TO | 18 | MAT'L. SPEC. | Nylon Color: Black | | |
| | 19 | | FINISH | SCALE | |
| | 20 | | DR. <i>GES.</i> DATE <i>Oct. 7 94</i> | CHK. <i>GES.</i> | SUPER. DR. |
| | 21 | | APPD. <i>A. Harley</i> DATE <i>10-11-94</i> | RAW STK. WT. | LBS./M |
| 22 | 2 | TOLERANCE UNLESS OTHERWISE SPECIFIED | | | |
| 23 | 3 | TWO PLACE DEC. $\pm .50$ mm [0.020] | | | |
| 24 | 4 | THREE PLACE DEC. $\pm .25$ mm [0.010] | | | |
| 25 | 5 | ANGULAR \pm | | | |
| 26 | 6 | TITLE | | | |
| 27 | 7 | MOUNTING MODULE | | | |
| 28 | 8 | Littelfuse® | | | |
| 29 | 9 | 800 E. NORTHWEST HIGHWAY | | | |
| 30 | 10 | DES PLAINES, ILLINOIS 60016 | | | |
| 31 | 11 | DRWG. NO. <i>D.</i> 03540514Z | | | |
| 32 | 12 | | | | |
| 33 | 13 | | | | |
| 34 | 14 | | | | |
| 35 | 15 | | | | |
| 36 | 16 | | | | |
| 37 | 17 | | | | |
| 38 | 18 | | | | |
| 39 | 19 | | | | |
| 40 | 20 | | | | |
| 41 | 21 | | | | |
| 42 | 22 | | | | |
| 43 | 23 | | | | |
| 44 | 24 | | | | |
| 45 | 25 | | | | |
| 46 | 26 | | | | |
| 47 | 27 | | | | |
| 48 | 28 | | | | |
| 49 | 29 | | | | |
| 50 | 30 | | | | |
| 51 | 31 | | | | |
| 52 | 32 | | | | |
| 53 | 33 | | | | |
| 54 | 34 | | | | |
| 55 | 35 | | | | |
| 56 | 36 | | | | |
| 57 | 37 | | | | |
| 58 | 38 | | | | |
| 59 | 39 | | | | |
| 60 | 40 | | | | |
| 61 | 41 | | | | |
| 62 | 42 | | | | |
| 63 | 43 | | | | |
| 64 | 44 | | | | |
| 65 | 45 | | | | |
| 66 | 46 | | | | |
| 67 | 47 | | | | |
| 68 | 48 | | | | |
| 69 | 49 | | | | |
| 70 | 50 | | | | |

NOTE: ALL DIMENSIONS ARE IN MILLIMETERS.
ENGLISH DIMENSIONS IN [].

ALL DIMENSIONS ARE IN MILLIMETERS UNLESS OTHERWISE SPECIFIED