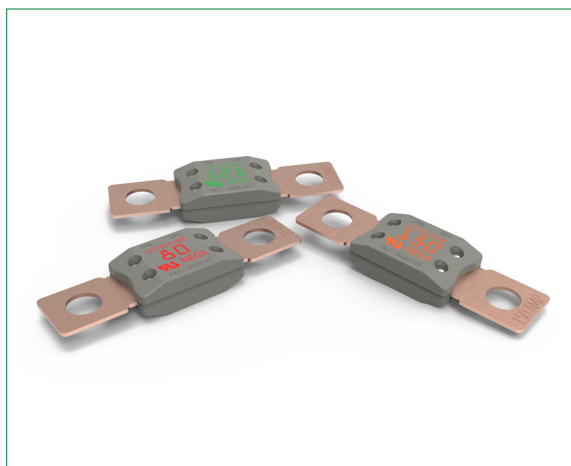


MEGA® UL Recognized

Rated 32V



Description

UL Recognized MEGA® fuses employ diffusion pill technology to provide predictable time-delayed circuit protection. The bolt-down automotive fuses are ideal for protecting batteries, alternators, and heavy gauge cables that experience large inrushes of current.

Features & Benefits

- Available with ratings of 80 A to 175 A
- Interrupting ratings of 2 kA at 32 VDC
- Operate at up to 125 °C
- Copper terminals
- PPA-GF30FR housing with UL flammability rating of V-0
- M8 (12–18 Nm) mounting holes
- Comply with ISO 8820-5
- Recognized as UL 248 Special Purpose Fuses
- Certified lead-free and RoHS compliant
- High-contrast, color-coded ampere rating stamps on housings aid identification
- Reliable in ultra-high-current applications

Applications

- Cars and SUVs
- Trucks
- Buses
- Offroad vehicles
- Watercraft as approved by Littelfuse

Ratings

Part Number	Current Rating (A)	Color Code	Test Cable Size (mm ²)	Typ. Voltage Drop (mV)	Typ. Cold Resistance (mΩ)	Typ. I ² t (A ² s)
0298080.ZXEH-UL	80		10	87	0.72	21 500
0298100.ZXEH-UL	100		16	87	0.56	31 100
0298125.ZXEH-UL	125		16	80	0.42	57 800
0298150.ZXEH-UL	150		25	92	0.35	100 000
0298175.ZXEH-UL	175		25	62	0.23	168 000

The typical I²t is an average value calculated from the breaking capacity tests by using the melting time before the arcing occurs.

Ordering Information

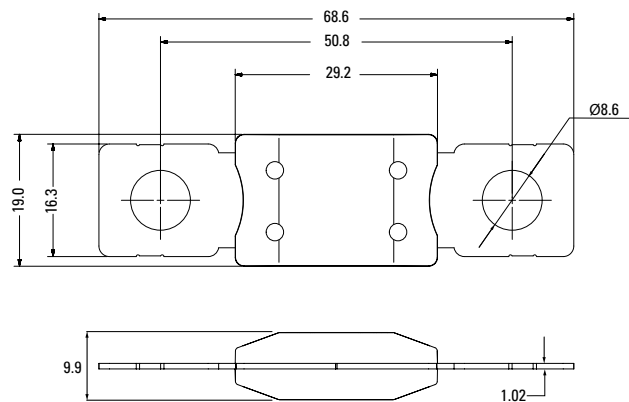
Part Number	Rating	Package Size	Bolt Size
0298xxx.ZXEH-UL	80 - 175	500	M8

MEGA[®] Low Temperature

Rated 32V

Dimensions

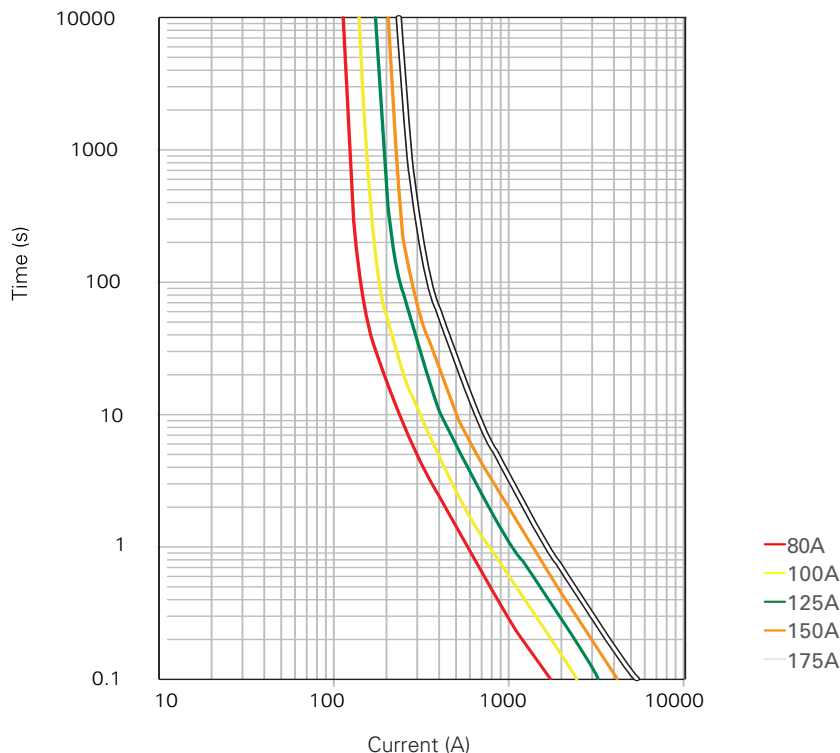
Dimensions in mm. Please refer to the outline drawing for dimensions and tolerances.



MEGA[®] Low Temperature

Rated 32V

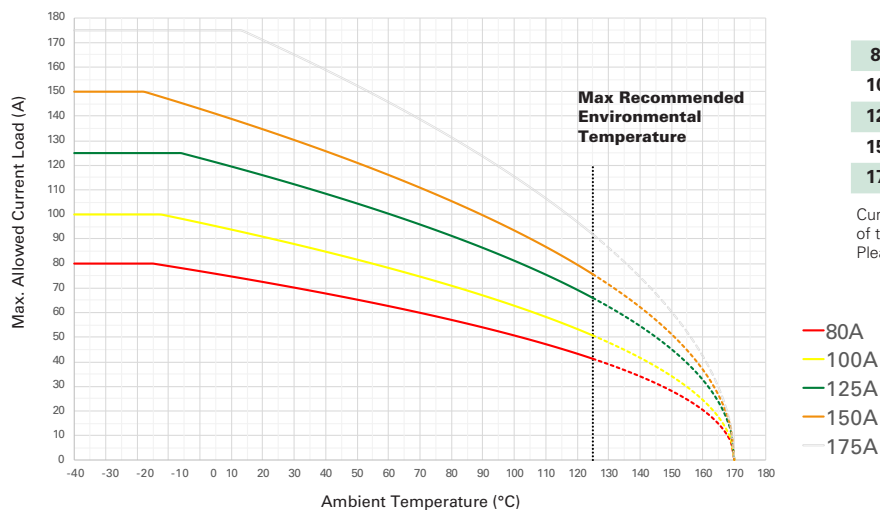
Time-Current Characteristic



% of Rating	Opening Time Min / Max (s)
	80 A - 175 A
75	- / -
100	14 400 / ∞
135	120 / 1 800
200	1 / 15
350	0.3 / 5
500	- / -
600	0.1 / 1

Typical Derating Curves

Please contact Littelfuse[®] for Details Regarding Derating Test Set Up



	max. allowed current load (A) at ambient temperature based on typical derating						
	-40°C	0°C	20°C	65°C	85°C	110°C	125°C
80 A	80	77	73	61	56	47	41
100 A	100	97	91	76	69	58	51
125 A	125	123	116	98	89	76	66
150 A	150	143	135	114	103	87	76
175 A	175	175	171	142	128	107	92

Current recommendation may be impacted by the final condition of the application (terminals characteristics, wire size etc.). Please contact Littelfuse[®] for more information.